

Movement by Perfection

Fans






for railroad engineering
01/2017 edition

Addendum
09/2018

The Royal League in ventilation, control and drive technology



Contents

Technical description			Page 4
MAXventowlet	Sickle-shaped and profiled blades made of aluminium		Page 8
FE2owlet-ECblue	Sickle-shaped and profiled blades made of high performance composite material or aluminium, optimised for full nozzle, with highly efficient EC motor		Page 18
FE2owlet-ECblue with ZAplus	FE2owlet-ECblue in optimised full nozzle with guide vane, motor suspension and short diffusor		Page 46
FE2owlet-ZAplus	FE2owlet in optimised full nozzle with guide vane, motor suspension and short diffusor		Page 58
Cpro	Free running Cpro impeller made of fire proof certified high performance composite material ZAMid		Page 72

Technical description

MAXventowlet

Product specification for railroad engineering

Medium pressure axial fan with extremely low noise emissions, high efficiency, and more power due to high performance internal rotor motor.

Factory adjusted pitch angle and various number of blades to precisely meet customer's operating point.

Seven available sizes 315, 350, 400, 450, 500, 560 and 630 mm. Flow rates up to 31,000 m³/h and static pressures up to 1,500 Pa. Motors are available in 2- or 4-pole and 2/4-pole configurations in 50 Hz or 60 Hz versions

Features and special features

- Housing with motor, impeller and nozzle as ready-to-install unit
- Low operating costs due to optimum efficiency with minimal noise as a result of the bionic wing design
- Adaptation for tight spaces or special dimensions
- High power density due to internal rotor motor
- High durability with low vibration due to dynamic balancing on 2 levels
- Plug and play solutions

Motor concepts

Internal rotor motors

- AC technology
- Electrical design according to DIN EN 60034-1 or EN 60349-2 (railway auxiliary motor).

Customer-specific design

- Degree of protections
- Insulation classes
- Temperature application ranges
- Voltage and frequency ranges
- Corrosion prevention

Application examples

- Traction motor cooling
- Braking resistor cooling
- Transformer and oil cooling



Technical description

FE2owlet

Product specification for railroad engineering

Profiled, sickle-shaped blades based on bionic insights. Available sizes 300 - 800 mm, air flows up to 30,000 m³/h and static pressure increase up to 400 Pa.

Properties and special features

- Low operating costs due to optimum efficiency with minimum noise levels
- High flexibility due to 100% speed controllable air flow rate
- Very smooth running and long service life due to dynamic balancing in two levels
- Compact dimensions for every installation situation
- Numerous approvals (incl. VDE, UL, CCC, CE)
- Fire safety in accordance with DIN EN 45545

Motor concepts

External rotor motors

- ECblue EC technology with integrated controller matched to the fan
- AC technology

Application examples

- Transformer cooling and oil cooler
- Ventilation for machine rooms
- Air conditioning in driver's cabin/passenger compartment



Technical description

FE2owlet with ZAplus

Product specification for railroad engineering

Optimised full nozzle with guide vane, motor suspension and short diffusor. Profiled, sickle-shaped blades based on bionic insights. Available sizes 450 - 630 mm, volume flow rates up to 23,000 m³/h and static pressure increase up to 480 Pa.

Properties and special features

- Intelligent ventilation system with built-in efficiency guarantee
- Lowest operating costs due to optimum efficiency with minimum noise levels due to bionic blade design and aerodynamically optimised ZAplus nozzle
- High level of flexibility due to 100% speed controllable volume flow rate
- High corrosion protection with corrosion-free nozzle made of high performance composite material
- Very smooth running and long service life due to dynamic balancing in two levels
- Minimal handling effort as no packaging needed
- Numerous approvals (incl. VDE, UL, CCC, CE)
- Fire safety in accordance with DIN EN 45545

Motor concepts

External rotor motors

- ECblue EC technology with integrated controller matched to the fan
- AC technology

Application examples

- Transformer cooling and oil cooler
- Ventilation for machine rooms
- Air conditioning in driver's cabin/passenger compartment



Technical description

ZArail in semi-spiral housing

cp. edition 01/2017 catalogue chapter „ZArail“

Product specification

Backward curved centrifugal impeller made of powder coated sheet metal. Semi-spiral housing made of galvanized or powder coated sheet metal.

Five sizes available 315, 355, 400, 450 and 500 mm. Air flow rates up to 18.000 m³/h and static pressures up to 4.000 Pa.

Motors are available in 2 or 4 pole and 2/4 pole configurations in 50 Hz or 60 Hz versions.

Characteristics and features

Housing with motor, impeller, and nozzle as ready-to-install unit. Flanges and fixing points of the housing can be adapted to the required installation situation.

Adaptation for tight spaces or special dimensions.

Fully balanced fan, allowed vibration severity less than 2.8 mm/s according to ISO 14694.

Vibration resistant and self-supporting unit.

High power density due to internal rotor motor.

Plug and play solutions



Motor concepts

Internal rotor motor

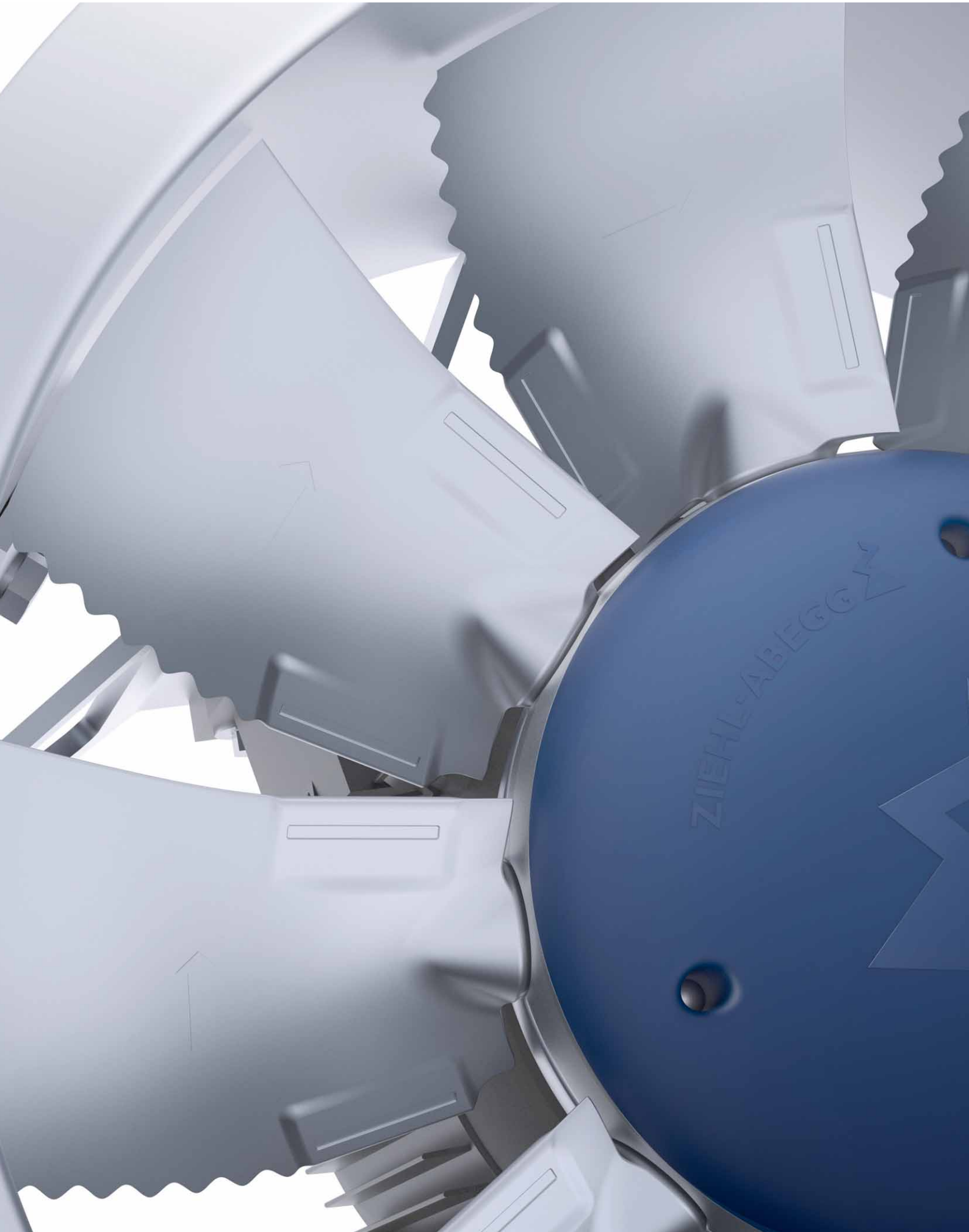
- AC technology
- Electrical design according to DIN EN 60034-1 or EN 60349-2 (railway auxiliary motor)

Customer-specific design

- Degree of protections
- Insulation classes
- Temperature application ranges
- Voltage and frequency ranges
- Corrosion preve

Application examples

- Traction motor cooling
- Braking resistor cooling
- Transformer and Oil cooling



MAXventowlet

Product overview

Size 315 / 350 Page 10

Size 400 / 450 Page 12

Size 500 / 560 Page 14

Size 630 Page 16



MAXventowlet

for three phase alternating-current, 2- and 4-pole

DN31/DN35



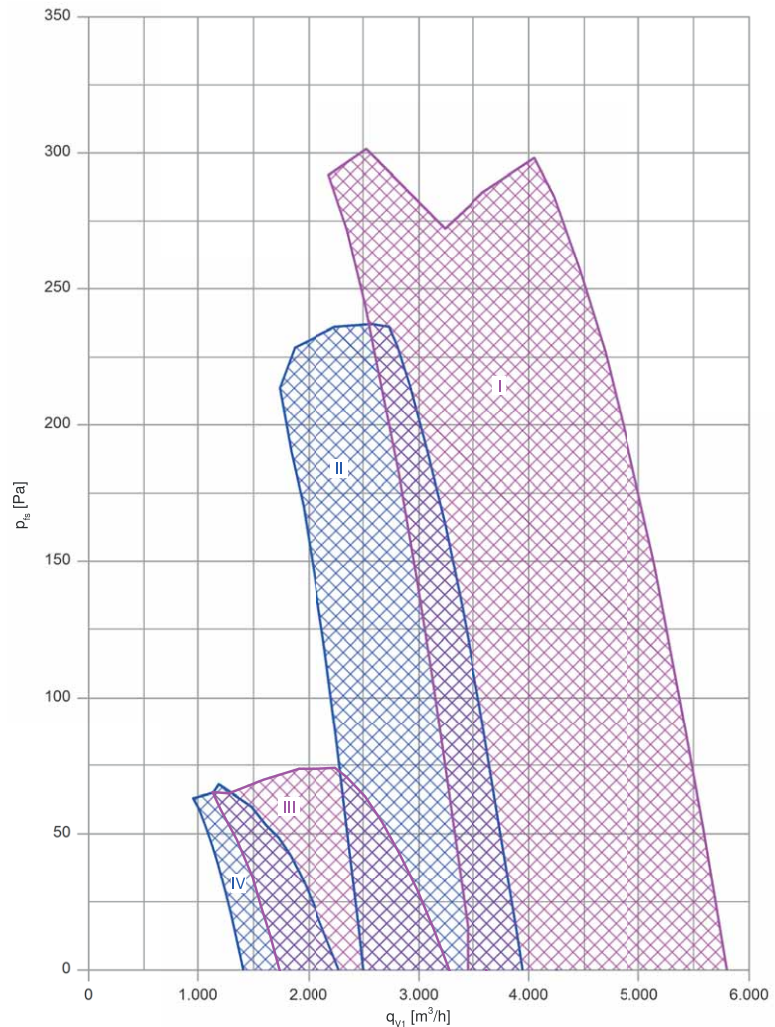
Description 50 Hz

Motor technology: AC
Rated voltage U_N : 3~ 400 V
Rated frequency f_N : 50 Hz
Min. permitted ambient temperature $t_{amb(min)}$: -30 °C
Max. permitted ambient temperature $t_{amb(max)}$: 60 °C
Degree of protection: IP55

Description 60 Hz

Motor technology: AC
Rated voltage U_N : 3~ 460 V
Rated frequency f_N : 60 Hz
Min. permitted ambient temperature $t_{amb(min)}$: -30 °C
Max. permitted ambient temperature $t_{amb(max)}$: 60 °C
Degree of protection: IP55

Characteristic curves 50Hz



The calculated characteristic diagram shows just a part of the possible operating ranges. For a detailed configuration of your project please contact ZIEHL-ABEGG.

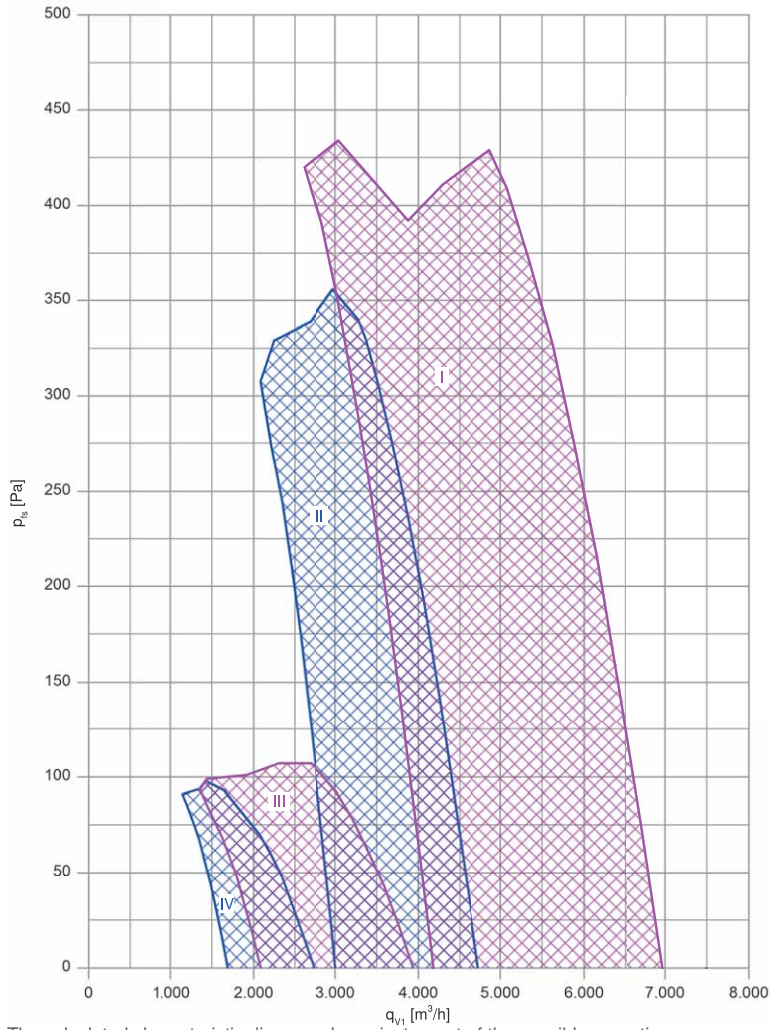
Technical data

Characteristic diagram	Type	Blade setting angle* min. - max. degree °	Motor size* min. - max.	Number of blades
I	DN35_-2_K	11 - 29	71 ... 90	7
II	DN31_-2_K	11 - 19	71 ... 80	7
III	DN35_-4_K	11 - 34	63 ... 71	7
IV	DN31_-4_K	14 - 34	63	7

*The smallest and the largest motor, as well as the smallest and the largest blade angle are shown.

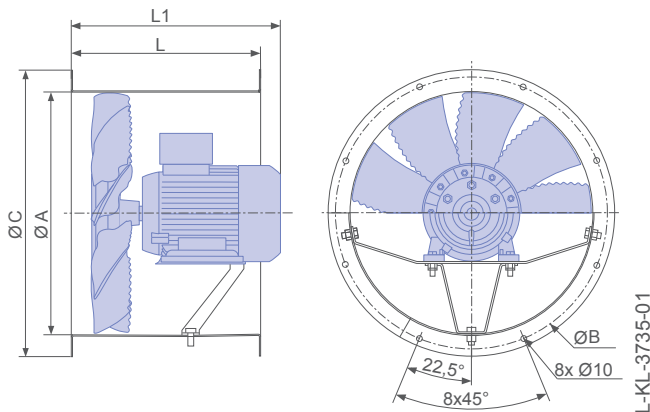


Characteristic curves 60Hz



The calculated characteristic diagram shows just a part of the possible operating ranges. For a detailed configuration of your project please contact ZIEHL-ABEGG.

Dimensions mm



Type	Ø A mm	Ø B mm	Ø C mm	L mm	L1* mm
DN35_-2_K	355	395	425	260	345
DN31_-2_K	315	355	372	260	303
DN35_-4_K	355	395	425	260	257
DN31_-4_K	315	355	372	260	249

*Motor size depends on blade setting angle, number of blades and number of poles.

MAXventowlet

for three phase alternating-current, 2- and 4-pole

DN40/DN45



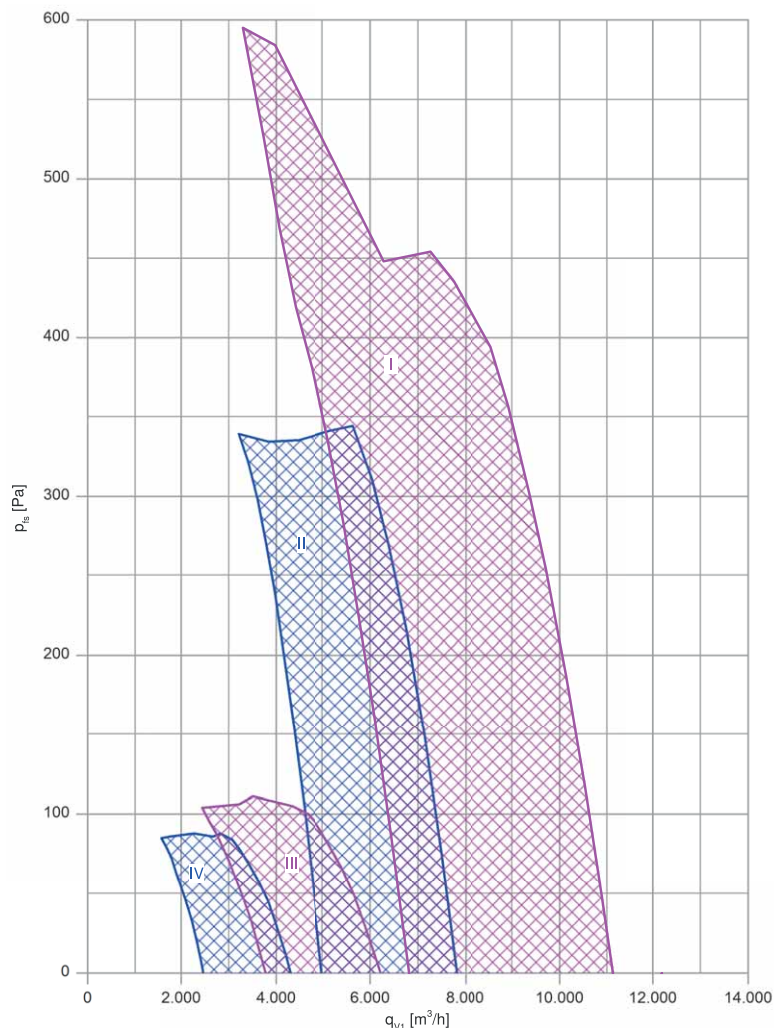
Description 50 Hz

Motor technology: AC
Rated voltage U_N : 3~ 400 V
Rated frequency f_N : 50 Hz
Min. permitted ambient temperature $t_{amb(min)}$: -30 °C
Max. permitted ambient temperature $t_{amb(max)}$: 60 °C
Degree of protection: IP55
Number of Blades: 9

Description 60 Hz

Motor technology: AC
Rated voltage U_N : 3~ 460 V
Rated frequency f_N : 60 Hz
Min. permitted ambient temperature $t_{amb(min)}$: -30 °C
Max. permitted ambient temperature $t_{amb(max)}$: 60 °C
Degree of protection: IP55
Number of blades: 9

Characteristic curves 50Hz



The calculated characteristic diagram shows just a part of the possible operating ranges. For a detailed configuration of your project please contact ZIEHL-ABEGG.

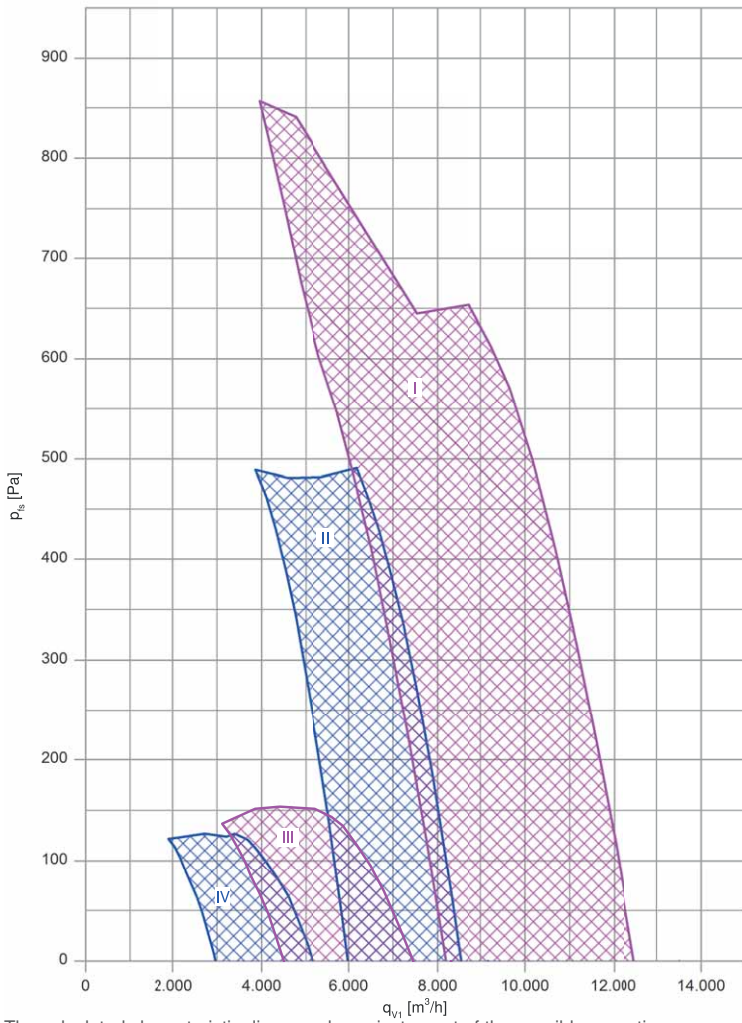
Technical data

Characteristic diagram	Type	Blade setting angle* min. - max. degree °	Motor size* min. - max.	Number of blades
I	DN45_-2_K	11 - 29	90 ... 112	3; 6; 9
II	DN40_-2_K	11 - 29	80 ... 100	3; 6; 9
III	DN45_-4_K	14 - 34	63 ... 90	3; 6; 9
IV	DN40_-4_K	11 - 34	63 ... 80	3; 6; 9

*The smallest and the largest motor, as well as the smallest and the largest blade angle are shown.

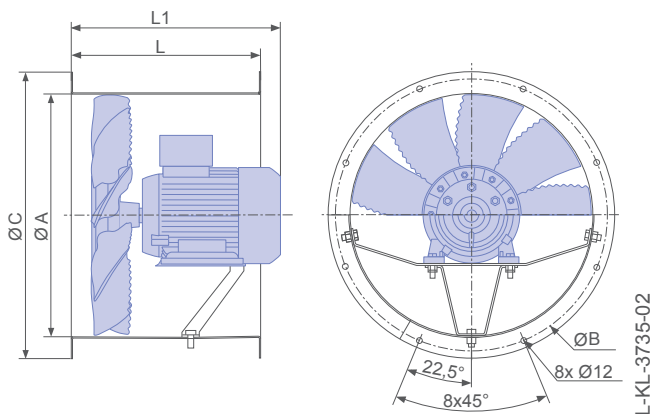


Characteristic curves 60Hz



The calculated characteristic diagram shows just a part of the possible operating ranges. For a detailed configuration of your project please contact ZIEHL-ABEGG.

Dimensions mm



Type	Ø A mm	Ø B mm	Ø C mm	L** mm	L1* max. mm
DN45_-2_K	450	500	530	320	410
DN40_-2_K	400	450	470	320	398
DN45_-4_K	450	500	530	260	370
DN40_-4_K	400	450	470	260	329

* Motor size depends on blade setting angle, number of blades and number of poles.

** Length of casing depends on motor size.

MAXventowlet

for three phase alternating-current, 2- and 4-pole

DN50/DN56



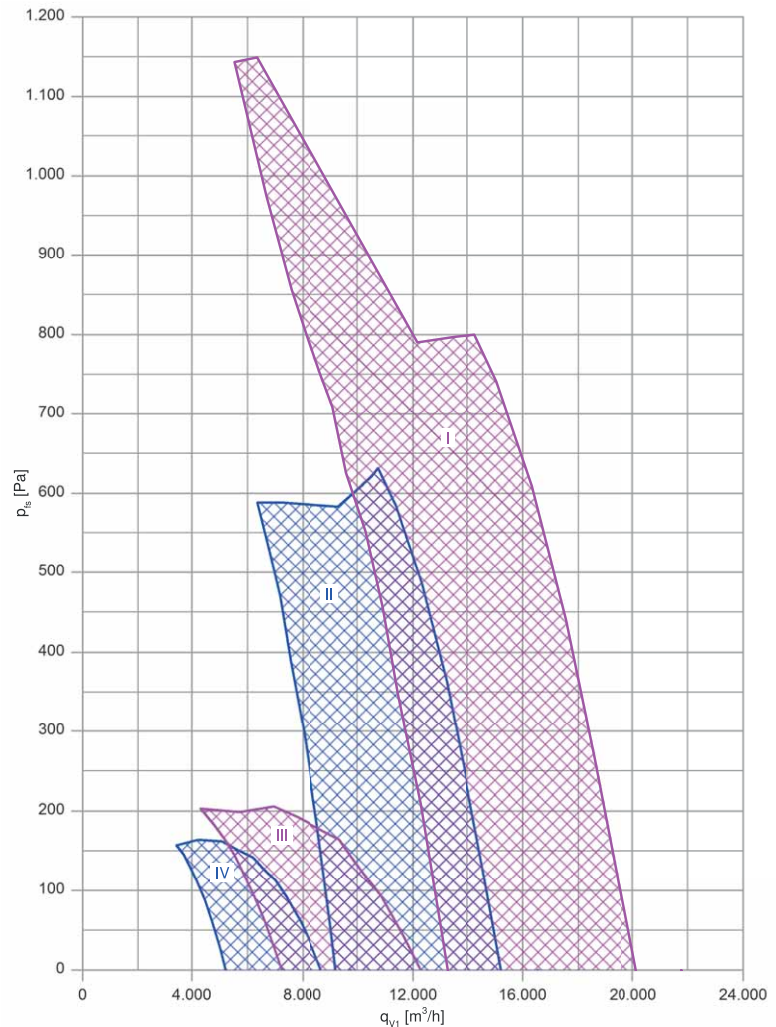
Description 50 Hz

Motor technology: AC
Rated voltage U_N : 3~ 400 V
Rated frequency f_N : 50 Hz
Min. permitted ambient temperature $t_{amb(min)}$: -30 °C
Max. permitted ambient temperature $t_{amb(max)}$: 60 °C
Degree of protection: IP55
Number of Blades: 9

Description 60 Hz

Motor technology: AC
Rated voltage U_N : 3~ 460 V
Rated frequency f_N : 60 Hz
Min. permitted ambient temperature $t_{amb(min)}$: -30 °C
Max. permitted ambient temperature $t_{amb(max)}$: 60 °C
Degree of protection: IP55
Number of blades: 9

Characteristic curves 50Hz



The calculated characteristic diagram shows just a part of the possible operating ranges. For a detailed configuration of your project please contact ZIEHL-ABEGG.

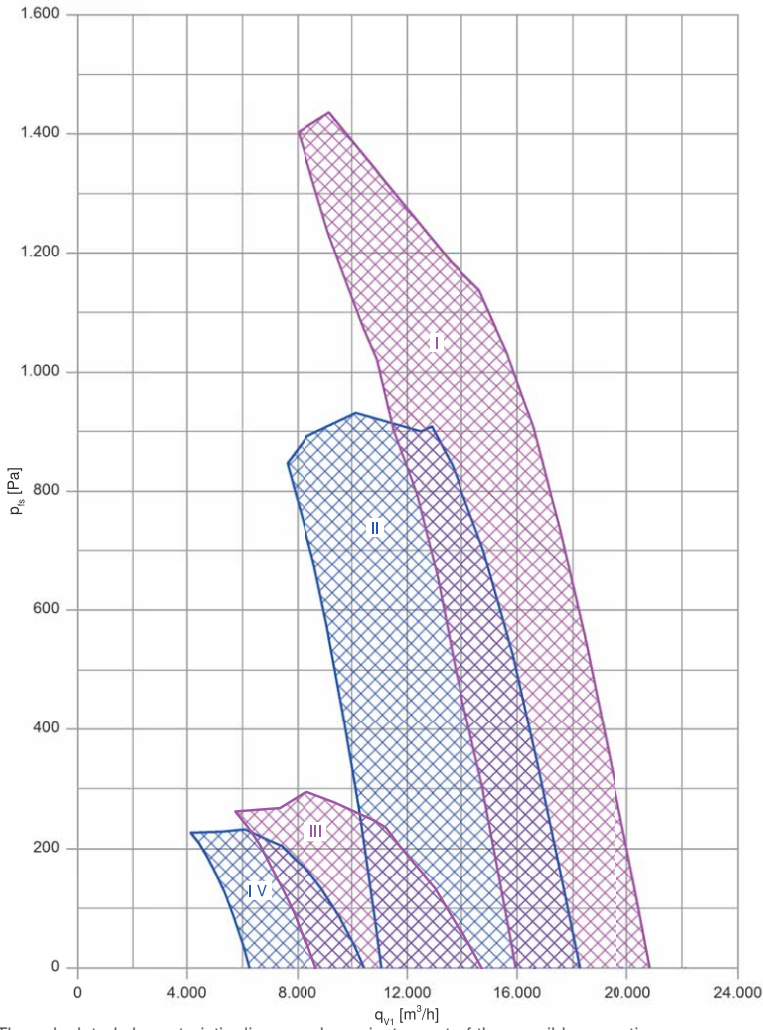
Technical data

Characteristic diagram	Type	Blade setting angle* min. - max. degree °	Motor size* min. - max.	Number of blades
I	DN50_-2_K	11 - 29	90 ... 132	3; 6; 9
II	DN56_-2_K	11 - 24	100 ... 132	3; 6; 9
III	DN50_-4_K	14 - 34	71 ... 100	3; 6; 9
IV	DN56_-4_K	14 - 34	80 ... 100	3; 6; 9

*The smallest and the largest motor, as well as the smallest and the largest blade angle are shown.

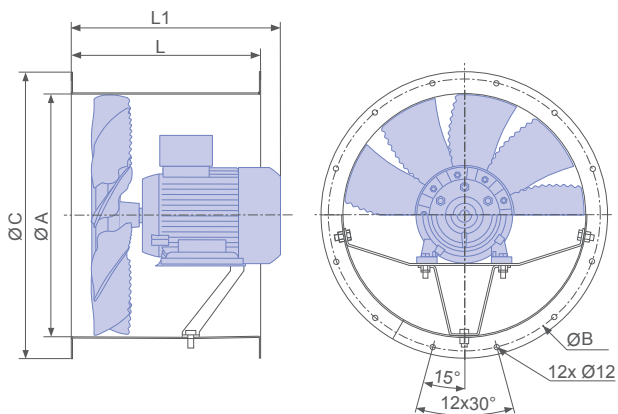


Characteristic curves 60Hz



The calculated characteristic diagram shows just a part of the possible operating ranges. For a detailed configuration of your project please contact ZIEHL-ABEGG.

Dimensions mm



Type	Ø A mm	Ø B mm	Ø C mm	L** mm	L1*max. mm
DN56_-2_K	560	620	650	360	511
DN50_-2_K	500	560	590	360	511
DN56_-4_K	560	620	650	360	404
DN50_-4_K	500	560	590	360	404

* Motor size depends on blade setting angle, number of blades and number of poles.

** Length of casing depends on motor size.

MAXventowlet

for three phase alternating-current, 2- and 4-pole

DN63



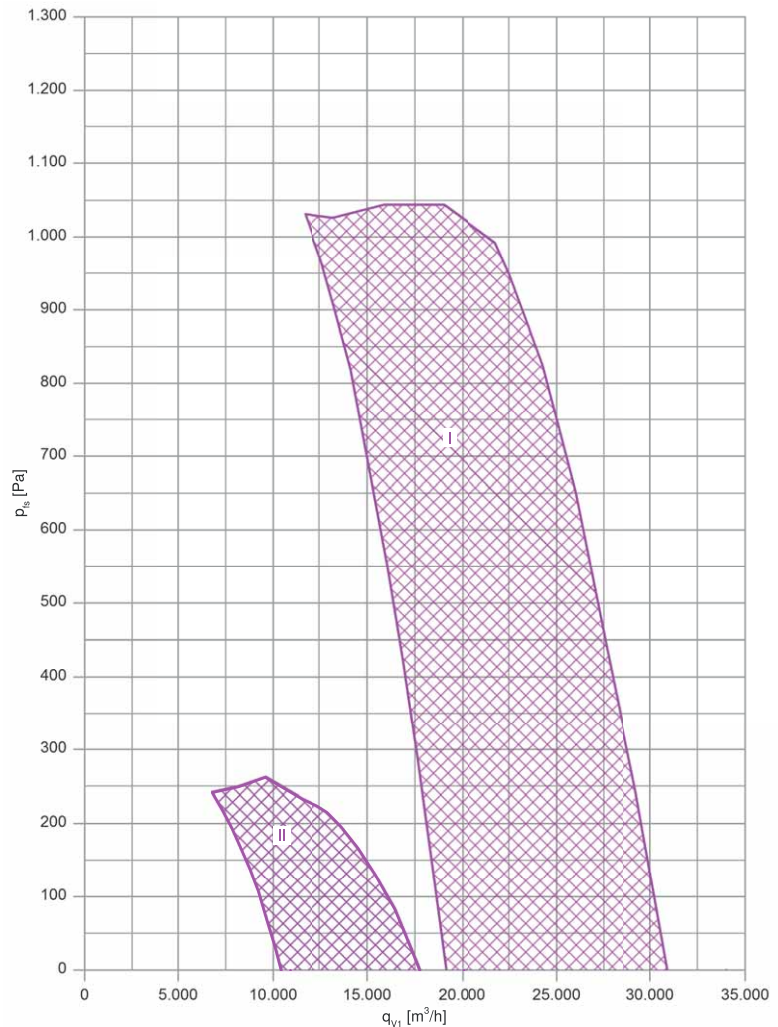
Description 50 Hz

Motor technology: AC
Rated voltage U_N : 3~ 400 V
Rated frequency f_N : 50 Hz
Min. permitted ambient temperature $t_{amb(min)}$: -30 °C
Max. permitted ambient temperature $t_{amb(max)}$: 60 °C
Degree of protection: IP55
Number of Blades: 9

Description 60 Hz

Motor technology: AC
Rated voltage U_N : 3~ 460 V
Rated frequency f_N : 60 Hz
Min. permitted ambient temperature $t_{amb(min)}$: -30 °C
Max. permitted ambient temperature $t_{amb(max)}$: 60 °C
Degree of protection: IP55
Number of blades: 9

Characteristic curves 50Hz



The calculated characteristic diagram shows just a part of the possible operating ranges.
For a detailed configuration of your project please contact ZIEHL-ABEGG.

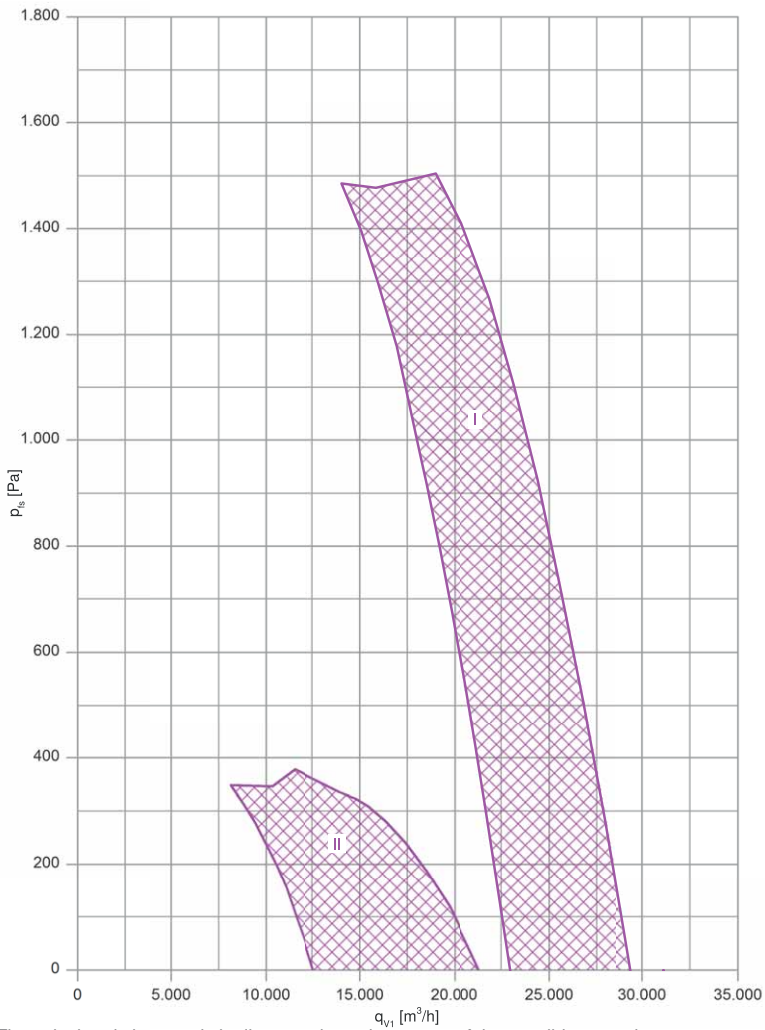
Technical data

Characteristic diagram	Type	Blade setting angle* min. - max. degree °	Motor size* min. - max.	Number of blades
I	DN63_-2_K	11 - 29	132 ... 160	3; 6; 9
II	DN63_-4_K	14 - 34	100 ... 132	3; 6; 9

*The smallest and the largest motor, as well as the smallest and the largest blade angle are shown.

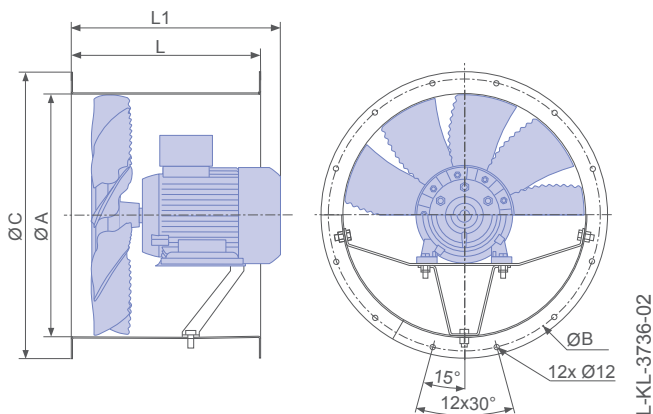


Characteristic curves 60Hz



The calculated characteristic diagram shows just a part of the possible operating ranges. For a detailed configuration of your project please contact ZIEHL-ABEGG.

Dimensions mm



Type	$\varnothing A$ mm	$\varnothing B$ mm	$\varnothing C$ mm	L^{**} mm	$L1^{*max.}$ mm
DN63_-2_K	630	690	720	410	600
DN63_-4_K	630	690	720	335	470

* Motor size depends on blade setting angle, number of blades and number of poles.

** Length of casing depends on motor size.



FE2owlet-ECblue

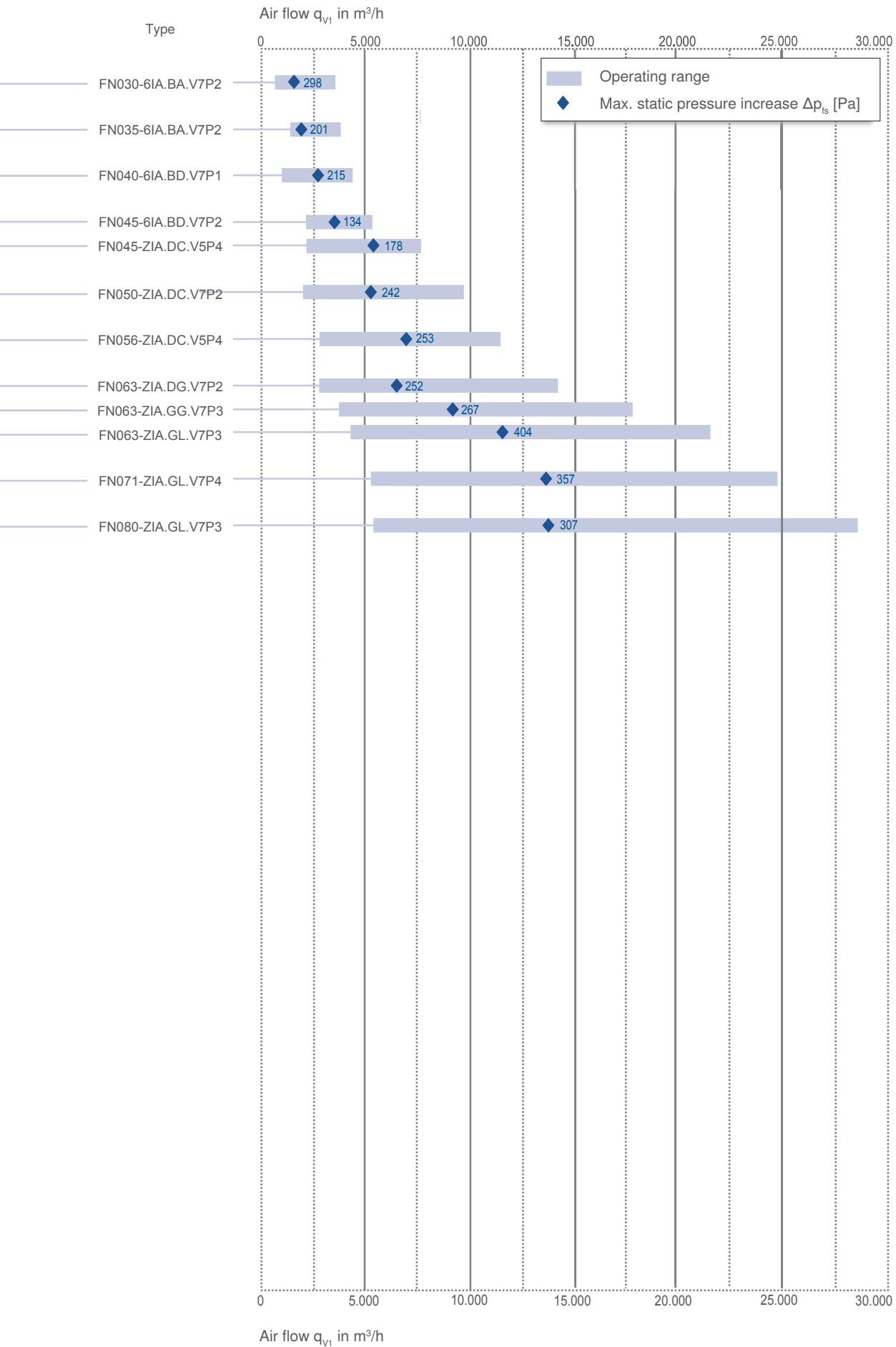
EC-Technology

Product overview

Quick selection	Page 20
Size 300	Page 22
Size 350	Page 24
Size 400	Page 26
Size 450	Page 28
Size 500	Page 32
Size 560	Page 34
Size 630	Page 36
Size 710	Page 42
Size 800	Page 44

Size	Voltage	Type	Air flow direction	Page
300	110V DC	FN030-6IA.BA.V7P2	← - V	22
350	110V DC	FN035-6IA.BA.V7P2	← - V	24
400	110V DC	FN040-6IA.BD.V7P1	← - V	26
450	110V DC	FN045-6IA.BD.V7P2	← - V	28
	3~380-480V	FN045-ZIA.DC.V5P4	← - V	30
500	3~380-480V	FN050-ZIA.DC.V7P2	← - V	32
560	3~380-480V	FN056-ZIA.DC.V5P4	← - V	34
630	3~380-480 V	FN063-ZIA.DG.V7P2	← - V	36
		FN063-ZIA.GG.V7P3	← - V	38
		FN063-ZIA.GL.V7P3	← - V	40
710	3~380-480V	FN071-ZIA.GL.V7P4	← - V	42
800	3~380-480V	FN080-ZIA.GL.V7P3	← - V	44





FE2owlet-ECblue

for direct current, 110 V

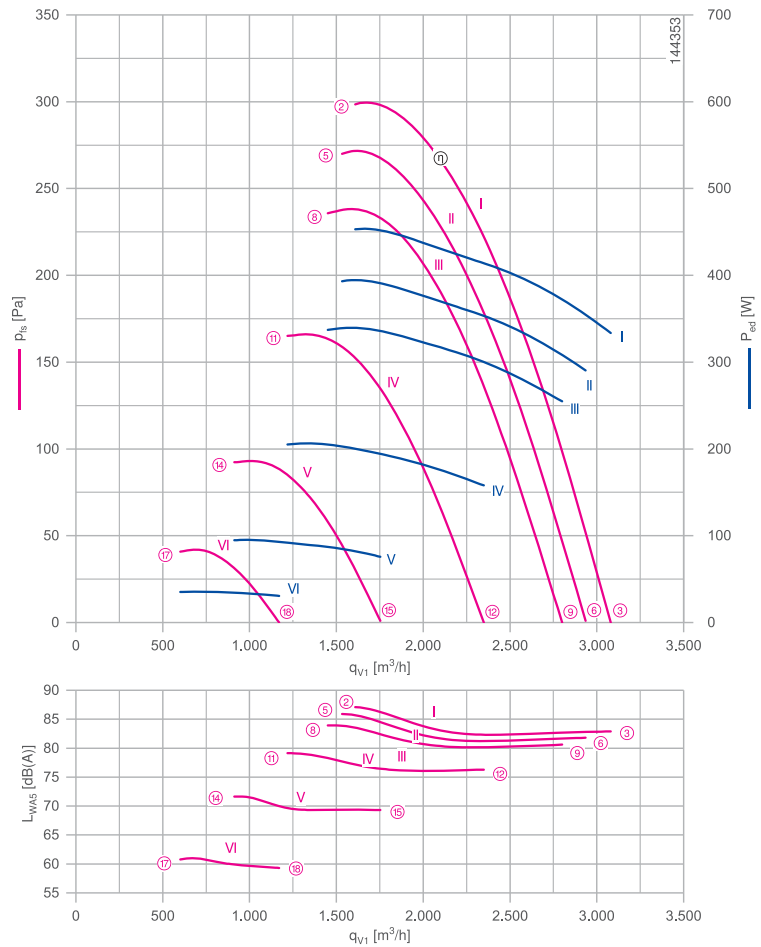
FNO30



Description

Motor technology: EC
 Rated voltage U_N : **DC 110 V***
 Input power P_{ed} : **460 W***
 Rated current I_N : **4.20 A***
 Rated speed n_N : **2750 min⁻¹***
 Thermal class: **THCL155***
 Min. permitted ambient temperature $t_{amb(min)}$: **-35 °C*****
 Max. permitted ambient temperature $t_{amb(max)}$: **50 °C**
 Electrical connection: Integrated controller
 Number of blades: 7
 Degree of protection : IP54
 Motor protection: Integrated active temperature management
 Blades: High Performance Composite Material, uncoated, black
 Rotor: Steel, 2 coat paint, ultramarine blue
 Conformity: CE
 * Rated data
 *** Continuous operation with occasional starts (S1) according to DIN EN 60034-1:2011-02. Occasional starting between -35 °C and -25 °C is permissible. Continuous operation below -25 °C only with special bearings for refrigeration applications on request.

Characteristic curve



Measured in full bell mouth without guard grille in installation type A according to ISO 5801.

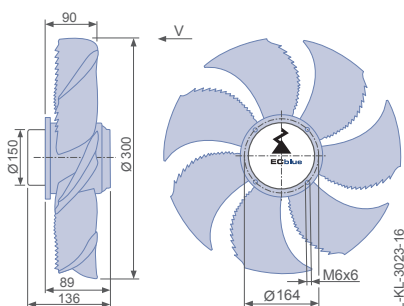
Connection diagram

1360-384

Dimensions mm



Design A - without suspension



Performance data

Type	Characteristic curve	Speed	Operating point	Current	Input power	Suction side sound power level	Maximum ambient temperature
		n min ⁻¹		I A	P _{ed} W	L _{WAS} dB(A)	
FN030-6I_BA_7P2	I	2750*	②	4.20*	460	87	50
		2750	③	3.00	330	83	
	II	2620	⑤	3.60	390	86	60
			⑥	2.60	290	82	
	III	2500	⑧	3.10	340	84	70
			⑨	2.30	250	81	
	IV	2100	⑪	1.85	210	79	
			⑫	1.45	160	76	
	V	1570	⑭	0.86	95	71	
			⑮	0.68	75	69	
	VI	1050	⑰	0.32	36	61	
			⑱	0.28	30	59	

*rated data

Fan ordering information

← Air flow direction V

Design A

Installation position H/Vu/Vo



Type FN030-6IA.BA.V7P2
Article no. 178861

Weight kg 5.92

Control technology

Operating terminal



FE2owlet-ECblue

for direct current, 110 V

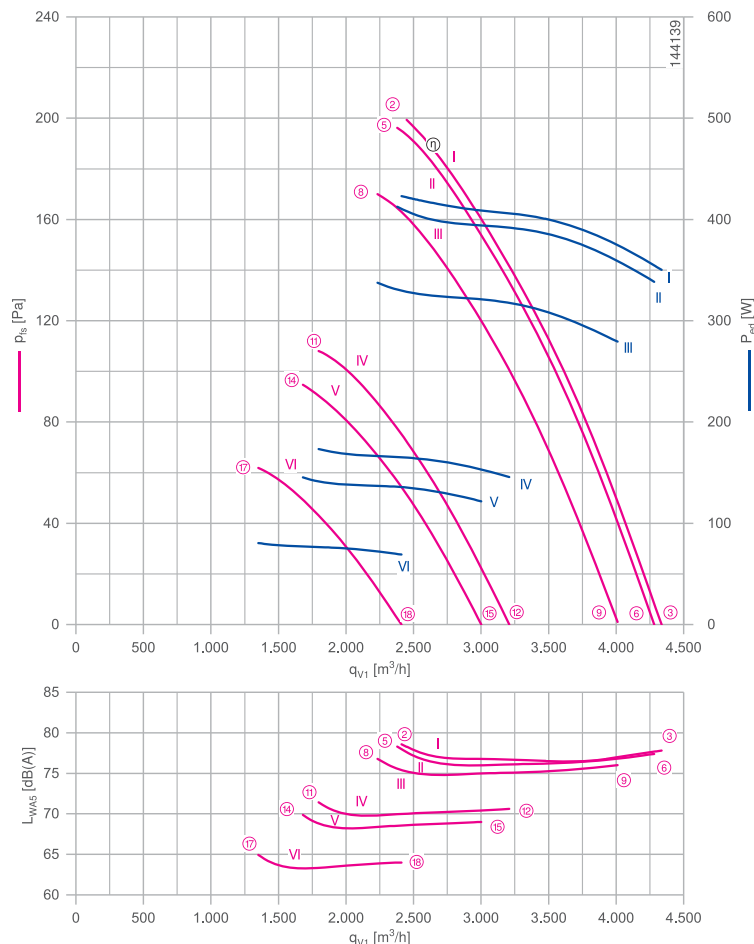
FN035



Description

Motor technology: EC
 Rated voltage U_N : **DC 110 V***
 Input power P_{ed} : **420 W***
 Rated current I_N : **3.80 A***
 Rated speed n_N : **1920 min⁻¹***
 Thermal class: **THCL155***
 Min. permitted ambient temperature $t_{amb(min)}$: **-35 °C*****
 Max. permitted ambient temperature $t_{amb(max)}$: **40 °C**
 Electrical connection: Integrated controller
 Number of blades: 7
 Degree of protection : IP54
 Motor protection: Integrated active temperature management
 Blades: High Performance Composite Material, uncoated, black
 Rotor: Steel, 2 coat paint, ultramarine blue
 Conformity: CE
 * Rated data
 *** Continuous operation with occasional starts (S1) according to DIN EN 60034-1:2011-02. Occasional starting between -35 °C and -25 °C is permissible. Continuous operation below -25 °C only with special bearings for refrigeration applications on request.

Characteristic curve



Measured in full bell mouth without guard grille in installation type A according to ISO 5801.

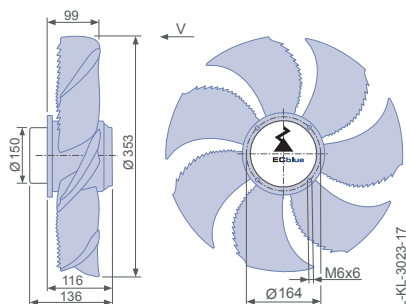
Connection diagram

1360-384

Dimensions mm



Design A - without suspension



Performance data

Type	Characteristic curve	Speed	Operating point	Current	Input power	Suction side sound power level	Maximum ambient temperature
		n min ⁻¹		I A	P _{ed} W	L _{WAS} dB(A)	t _{amb (max.)} °C
FN035-6I_BA_7P2	I	1920*	②	3.80*	420	79	40
		1920	③	3.20	350	78	
	II	1900	⑤	3.70	420	78	50
			⑥	3.10	340	77	
	III	1780	⑧	3.10	340	77	60
			⑨	2.50	280	76	
	IV	1420	⑪	1.55	170	71	
			⑫	1.30	150	71	
	V	1330	⑭	1.30	150	70	70
			⑮	1.10	120	69	
	VI	1070	⑰	0.72	80	65	
			⑱	0.62	70	64	

*rated data

Fan ordering information

← Air flow direction V

Design A

Installation position H/Vu/Vo




Type **FN035-6IA.BA.V7P2**
Article no. **178862**

Weight kg 6.05

Control technology

Operating terminal



FE2owlet-ECblue

for direct current, 110 V

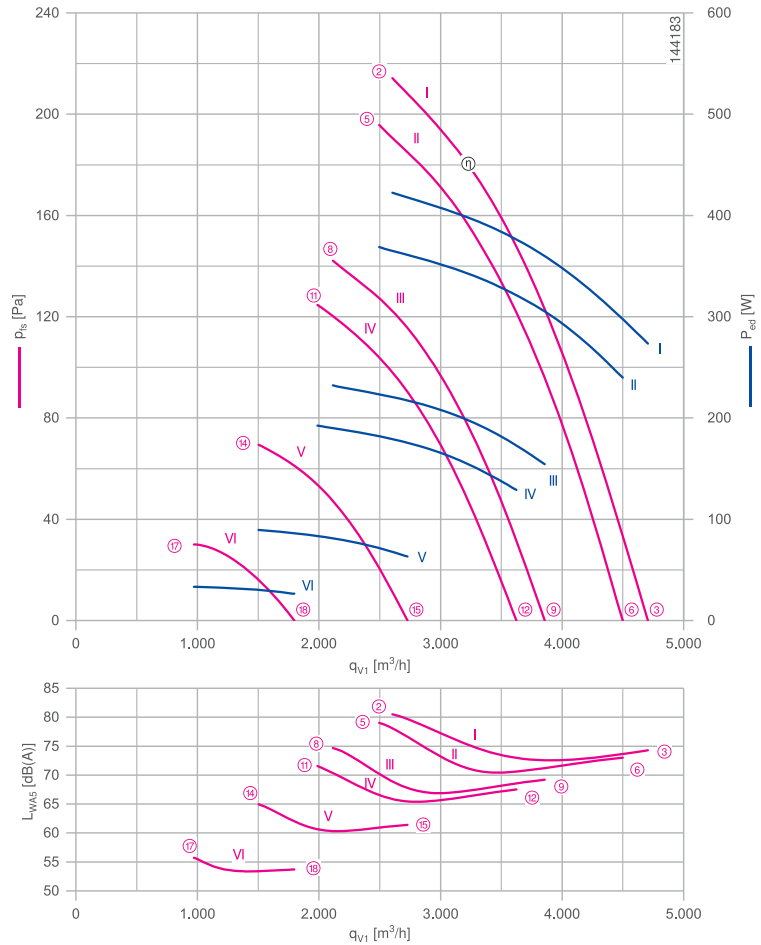
FNO40



Description

Motor technology: EC
 Rated voltage U_N : **DC 110 V***
 Input power P_{ed} : **440 W***
 Rated current I_N : **3.90 A***
 Rated speed n_N : **1790 min⁻¹***
 Thermal class: **THCL155***
 Min. permitted ambient temperature $t_{amb(min)}$: **-35 °C*****
 Max. permitted ambient temperature $t_{amb(max)}$: **40 °C**
 Electrical connection: Integrated controller
 Number of blades: 7
 Degree of protection : IP54
 Motor protection: Integrated active temperature management
 Blades: High Performance Composite Material, uncoated, black
 Rotor: Steel, 2 coat paint, ultramarine blue
 Conformity: CE
 * Rated data
 *** Continuous operation with occasional starts (S1) according to DIN EN 60034-1:2011-02. Occasional starting between -35 °C and -25 °C is permissible. Continuous operation below -25 °C only with special bearings for refrigeration applications on request.

Characteristic curve



Measured in full bell mouth without guard grille in installation type A according to ISO 5801.

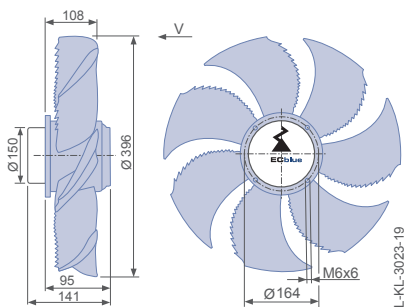
Connection diagram

1360-384

Dimensions mm

← Air flow direction V

Design A - without suspension



Performance data

Type	Characteristic curve	Speed	Operating point	Current	Input power	Suction side sound power level	Maximum ambient temperature
		n min^{-1}		I A	P_{ed} W	L_{WAS} dB(A)	$t_{\text{amb (max.)}}$ $^{\circ}\text{C}$
FN040-6I_BD_7P1	I	1790*	②	3.80*	420	81	50
		1790	③	2.50	270	74	
	II	1710	⑤	3.40	370	79	60
			⑥	2.20	240	73	
	III	1450	⑧	2.10	230	75	70
			⑨	1.40	150	69	
	IV	1370	⑪	1.75	190	72	
			⑫	1.15	130	68	
	V	1030	⑭	0.82	90	65	
			⑮	0.58	65	61	
	VI	680	⑰	0.30	34	56	
			⑱	0.24	26	54	

*rated data

Fan ordering information

Air flow direction V

Design A

Installation position H/Vu/Vo



Type FN040-6IA.BD.V7P1
Article no. 178863

Weight kg 6.16

Control technology

Operating terminal



FE2owlet-ECblue

for direct current, 110 V

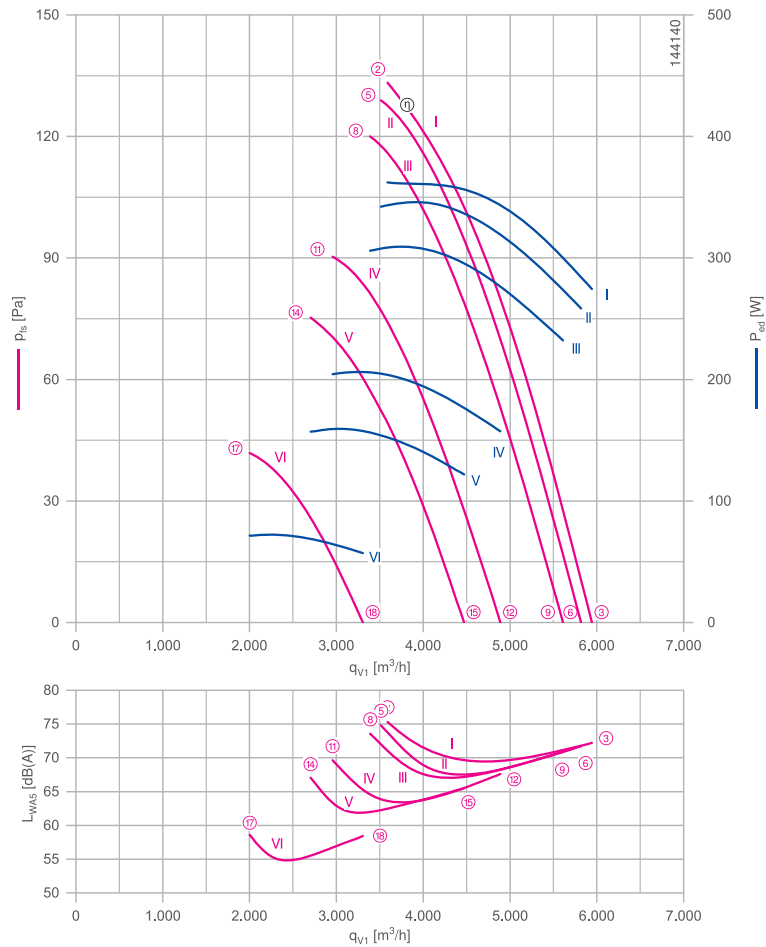
FNO45



Description

Motor technology: EC
 Rated voltage U_N : **DC 110 V***
 Input power P_{ed} : **360 W***
 Rated current I_N : **3.30 A***
 Rated speed n_N : **1430 min⁻¹***
 Thermal class: **THCL155***
 Min. permitted ambient temperature $t_{amb(min)}$: **-35 °C*****
 Max. permitted ambient temperature $t_{amb(max)}$: **40 °C**
 Electrical connection: Integrated controller
 Number of blades: 7
 Degree of protection : IP54
 Motor protection: Integrated active temperature management
 Blades: High Performance Composite Material, uncoated, black
 Rotor: Steel, 2 coat paint, ultramarine blue
 Conformity: CE
 * Rated data
 *** Continuous operation with occasional starts (S1) according to DIN EN 60034-1:2011-02. Occasional starting between -35 °C and -25 °C is permissible. Continuous operation below -25 °C only with special bearings for refrigeration applications on request.

Characteristic curve



Measured in full bell mouth without guard grille in installation type A according to ISO 5801.

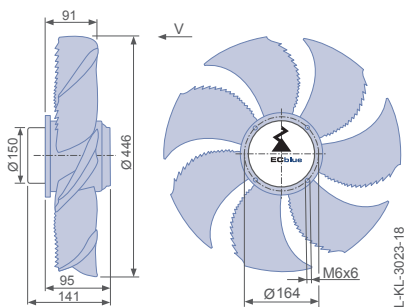
Connection diagram

1360-384

Dimensions mm



Design A - without suspension



Performance data

Type	Characteristic curve	Speed	Operating point	Current	Input power	Suction side sound power level	Maximum ambient temperature
		n min ⁻¹		I A	P _{ed} W	L _{WAS} dB(A)	
FN045-6I_BD_7P2	I	1430*	②	3.30*	360	76	40
		1430	③	2.50	270	72	
	II	1400	⑤	3.10	340	75	50
			⑥	2.30	260	72	
	III	1350	⑧	2.80	310	74	60
			⑨	2.10	230	71	
	IV	1180	⑪	1.85	200	70	70
			⑫	1.45	160	68	
	V	1080	⑭	1.45	160	67	
			⑮	1.10	120	66	
	VI	810	⑰	0.64	70	59	
			⑱	0.52	55	58	

*rated data

Fan ordering information

Air flow direction V

Design A

Installation position H/Vu/Vo



Type FN045-6IA.BD.V7P2
Article no. 178864

Weight kg 6.17

Control technology

Operating terminal



FE2owlet-ECblue

for three phase alternating current, 380-480 V

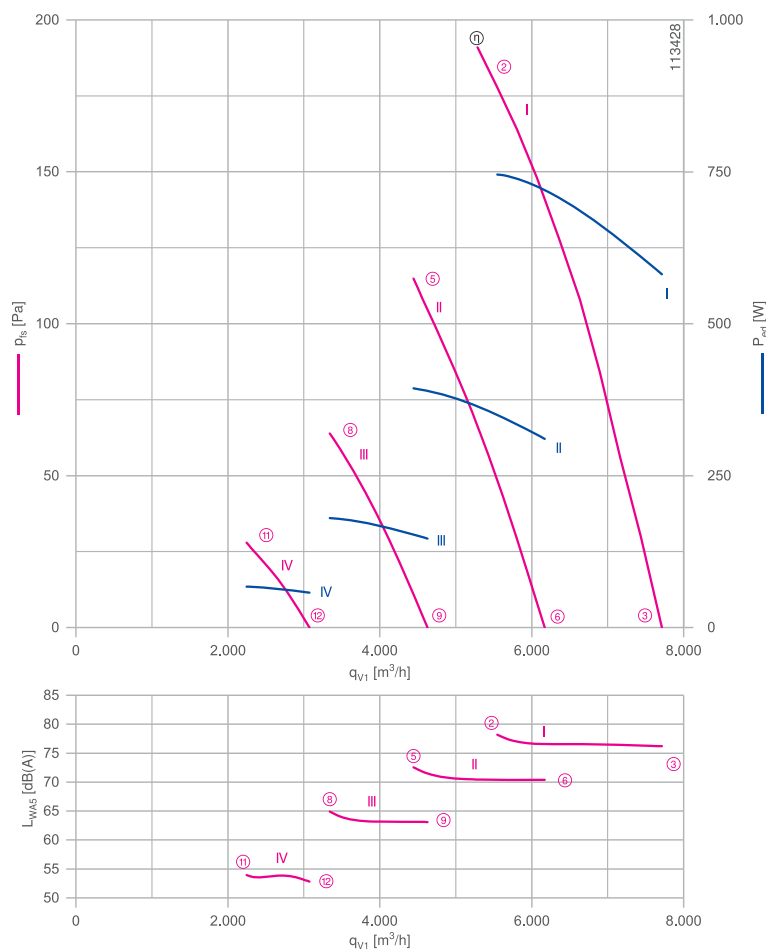
FNO45



Description

Motor technology: EC
 Rated voltage U_N : 3- 380-480 V*
 Rated frequency f_N : 50/60 Hz*
 Input power P_{ed} : 0.74 kW*
 Rated current I_N : 1.35- 1.10 A*
 Rated speed n_N : 1650 min⁻¹*
 Thermal class: **THCL155***
 Min. permitted ambient temperature $t_{amb(min)}$: -35 °C***
 Max. permitted ambient temperature $t_{amb(max)}$: 60 °C
 Electrical connection: Integrated controller
 Number of blades: 5
 Degree of protection : IP54
 Motor protection: Integrated active temperature management
 Blades: High Performance Composite Material, uncoated, black
 Rotor: Steel, 2 coat paint, ultramarine blue
 Conformity: CE
 * Rated data
 *** Continuous operation with occasional starts (S1) according to DIN EN 60034-1:2011-02. Occasional starting between -35 °C and -25 °C is permissible. Continuous operation below -25 °C only with special bearings for refrigeration applications on request.

Characteristic curve



Measured in full bell mouth without guard grille in installation type A according to ISO 5801.

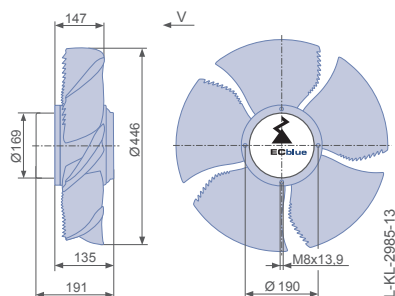
Connection diagram

1360-403

Dimensions mm



Design A - without suspension



Performance data

Type	Characteristic curve	Speed	Operating point	Current	Input power	Suction side sound power level
		n min ⁻¹		I A	P _{ed} W	L _{WA5} dB(A)
FN045-ZI_DC_5P4	I	1650	②	1.30	740	78
			③	1.05	580	76
	II	1320	⑤	0.84	390	72
			⑥	0.74	310	70
	III	990	⑧	0.54	180	65
			⑨	0.46	150	63
	IV	660	⑪	0.34	65	54
			⑫	0.32	60	53

Current values determined at 400V

Fan ordering information

Air flow direction V

Design A

Installation position H/Vu/Vo




Type FN045-ZIA.DC.V5P4
Article no. 178865

Weight kg 9.40

Control technology

Add-on modules Operating terminal



FE2owlet-ECblue

for three phase alternating current, 380-480 V

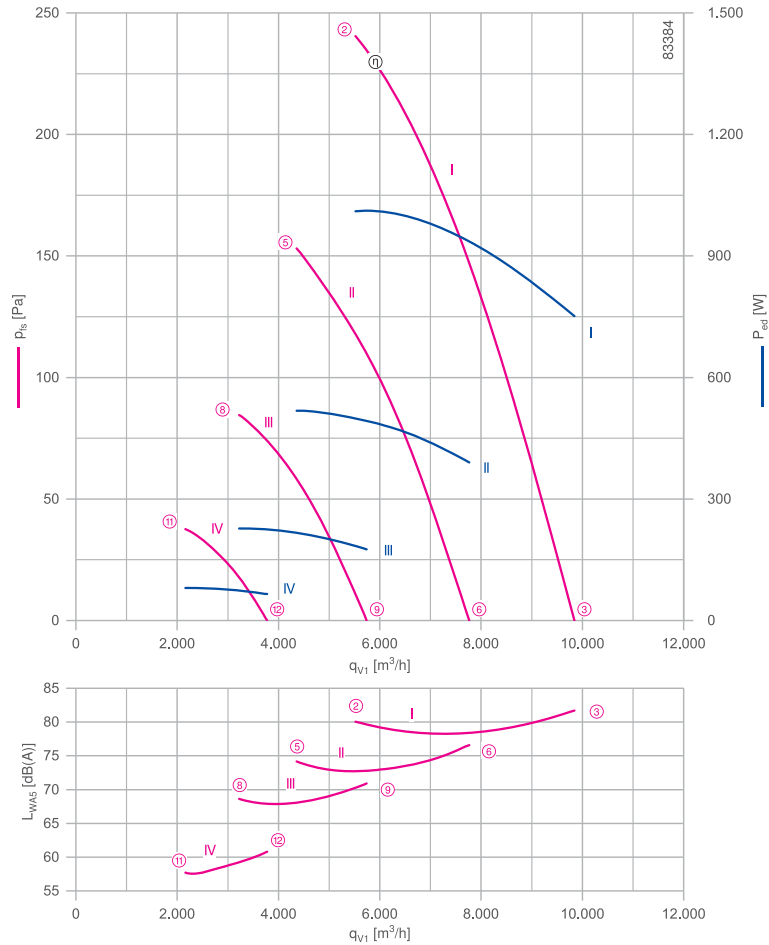
FN050



Description

Motor technology: EC
 Rated voltage U_N : 3~ 380-480 V*
 Rated frequency f_N : 50/60 Hz*
 Input power P_{ed} : 1.00 kW*
 Rated current I_N : 1.70- 1.35 A*
 Rated speed n_N : 1550 min⁻¹*
 Thermal class: **THCL155***
 Min. permitted ambient temperature $t_{amb(min)}$: -35 °C***
 Max. permitted ambient temperature $t_{amb(max)}$: 60 °C
 Electrical connection: Integrated controller
 Number of blades: 7
 Degree of protection : IP54
 Motor protection: Integrated active temperature management
 Blades: High Performance Composite Material, uncoated, black
 Rotor: Steel, 2 coat paint, ultramarine blue
 Conformity: CE
 * Rated data
 *** Continuous operation with occasional starts (S1) according to DIN EN 60034-1:2011-02. Occasional starting between -35 °C and -25 °C is permissible. Continuous operation below -25 °C only with special bearings for refrigeration applications on request.

Characteristic curve



Measured in full bell mouth without guard grille in installation type A according to ISO 5801.

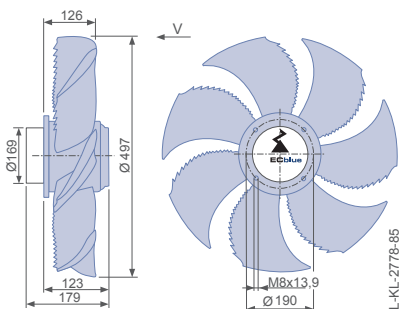
Connection diagram

1360-403

Dimensions mm

Air flow direction V

Design A - without suspension



Performance data

Type	Characteristic curve	Speed	Operating point	Current	Input power	Suction side sound power level	
		n min ⁻¹		I A	P _{ed} W	L _{WA5} dB(A)	
FN050-ZI_DC_V7P2	I	1550	②	1.60	1000	80	
			③	1.25	760	82	
			④	0.92	520	74	
	II	1240	⑤	0.76	390	77	
			⑥	0.54	230	69	
			⑦	0.46	180	71	
	III	930	⑧	0.29	80	58	
			⑨	0.26	65	61	
			⑩				
	IV	620	⑪				
			⑫				


Current values determined at 400V

Fan ordering information

Air flow direction V

Design A

Installation position H/Vu/Vo




Type FN050-ZIA.DC.V7P2
Article no. 178866

Weight kg 9.60

Control technology

Add-on modules Operating terminal



FE2owlet-ECblue

for three phase alternating current, 380-480 V

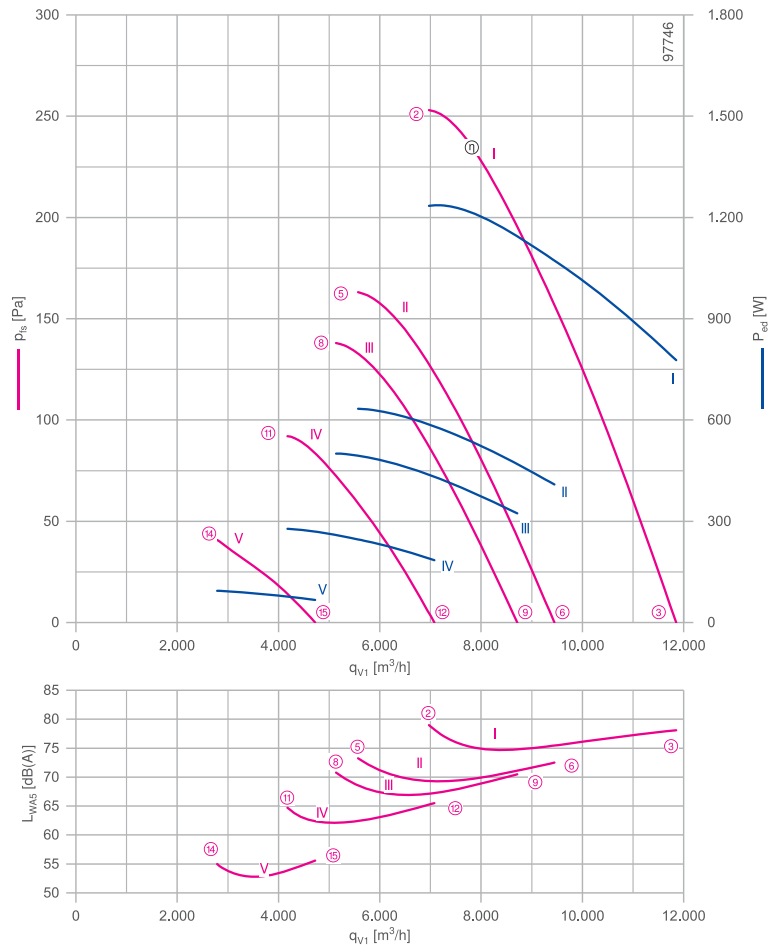
FN056



Description

Motor technology: EC
 Rated voltage U_N : 3- 380-480 V*
 Rated frequency f_N : 50/60 Hz*
 Input power P_{ed} : 1.25 kW*
 Rated current I_N : 2.10- 1.65 A*
 Rated speed n_N : 1450 min⁻¹*
 Thermal class: THCL155*
 Min. permitted ambient temperature $t_{amb(min)}$: -35 °C***
 Max. permitted ambient temperature $t_{amb(max)}$: 60 °C
 Electrical connection: Integrated controller
 Number of blades: 5
 Degree of protection : IP54
 Motor protection : Integrated active temperature management
 Blades: High Performance Composite Material, uncoated, black
 Rotor: Steel, 2 coat paint, ultramarine blue
 Conformity: CE
 * Rated data
 *** Continuous operation with occasional starts (S1) according to DIN EN 60034-1:2011-02. Occasional starting between -35 °C and -25 °C is permissible. Continuous operation below -25 °C only with special bearings for refrigeration applications on request.

Characteristic curve



Measured in full bell mouth without guard grille in installation type A according to ISO 5801.

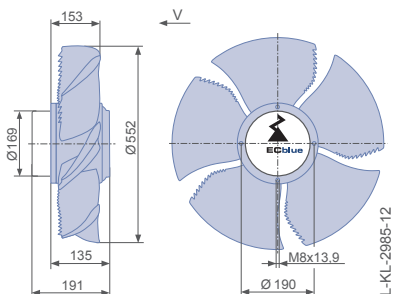
Connection diagram

1360-403

Dimensions mm



Design A - without suspension



Performance data

Type	Characteristic curve	Speed	Operating point	Current	Input power	Suction side sound power level
		n min ⁻¹		I A	P _{ed} W	L _{WA5} dB(A)
FN056-ZI_DC_5P4	I	1450	②	1.95	1250	79
			③	1.30	780	78
	II	1160	⑤	1.10	640	73
			⑥	0.80	400	73
	III	1070	⑧	0.94	500	71
			⑨	0.72	320	71
	IV	870	⑪	0.64	280	65
			⑫	0.50	180	66
	V	580	⑭	0.32	95	55
			⑮	0.26	65	56

Current values determined at 400V

Fan ordering information

Air flow direction V

Design A

Installation position H/Vu/Vo




Type FN056-ZIA.DC.V5P4
Article no. 178867

Weight kg 10.00

Control technology

Add-on modules Operating terminal



FE2owlet-ECblue

for three phase alternating current, 380-480 V

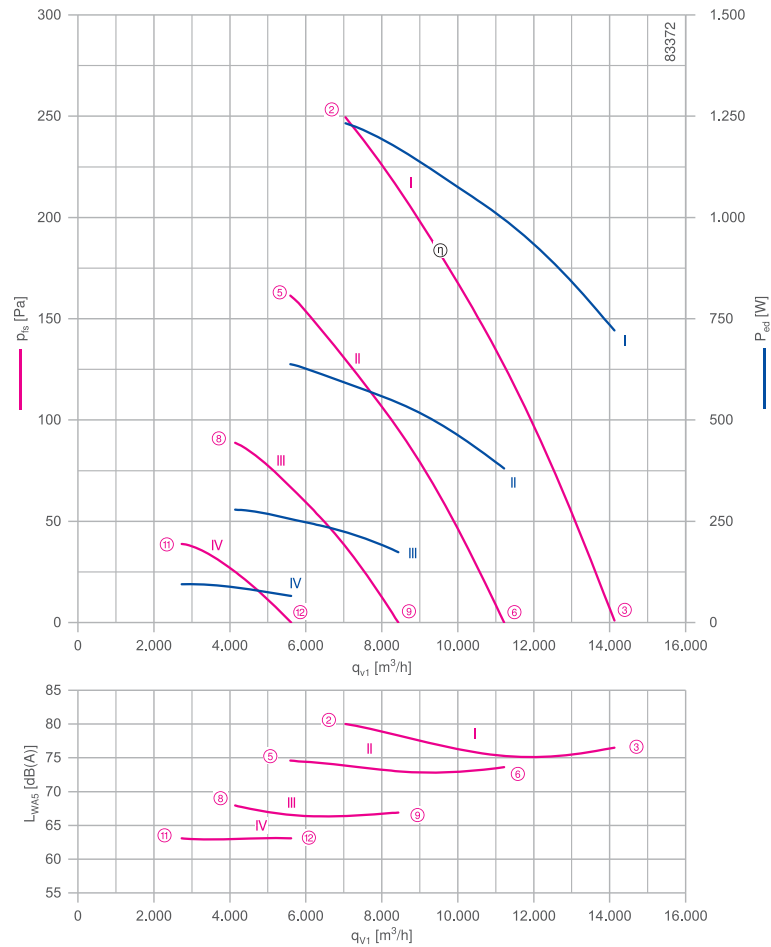
FN063



Description

Motor technology: EC
 Rated voltage U_N : 3~ 380-480 V*
 Rated frequency f_N : 50/60 Hz*
 Input power P_{ed} : 1.25 kW*
 Rated current I_N : 2.00- 1.60 A*
 Rated speed n_N : 1200 min⁻¹*
 Thermal class: **THCL155***
 Min. permitted ambient temperature $t_{amb(min)}$: -35 °C***
 Max. permitted ambient temperature $t_{amb(max)}$: 60 °C
 Electrical connection: Integrated controller
 Number of blades: 7
 Degree of protection : IP54
 Motor protection: Integrated active temperature management
 Blades: High Performance Composite Material, uncoated, black
 Rotor: Steel, 2 coat paint, ultramarine blue
 Conformity: CE
 * Rated data
 *** Continuous operation with occasional starts (S1) according to DIN EN 60034-1:2011-02. Occasional starting between -35 °C and -25 °C is permissible. Continuous operation below -25 °C only with special bearings for refrigeration applications on request.

Characteristic curve



Measured in full bell mouth without guard grille in installation type A according to ISO 5801.

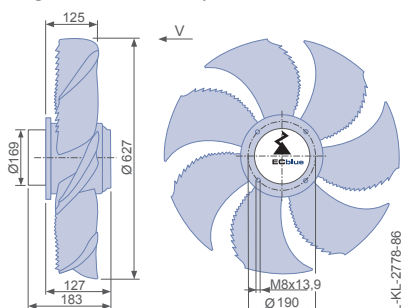
Connection diagram

1360-403

Dimensions mm

Air flow direction V

Design A - without suspension



Performance data

Type	Characteristic curve	Speed	Operating point	Current	Input power	Suction side sound power level
		n min ⁻¹		I A	P _{ed} W	L _{WA5} dB(A)
FN063-ZI_DG_7P2	I	1200	②	1.90	1250	81
			③	1.20	720	77
	II	960	⑤	1.05	580	78
			⑥	0.74	380	74
	III	720	⑧	0.60	270	69
			⑨	0.44	170	67
	IV	480	⑪	0.29	95	63
			⑫	0.25	65	63

Current values determined at 400V

Fan ordering information

Air flow direction V

Design A

Installation position H/Vu/Vo




Type FN063-ZIA.DG.V7P2
Article no. 178868

Weight kg 11.50

Control technology

Add-on modules Operating terminal



FE2owlet-ECblue

for three phase alternating current, 380-480 V

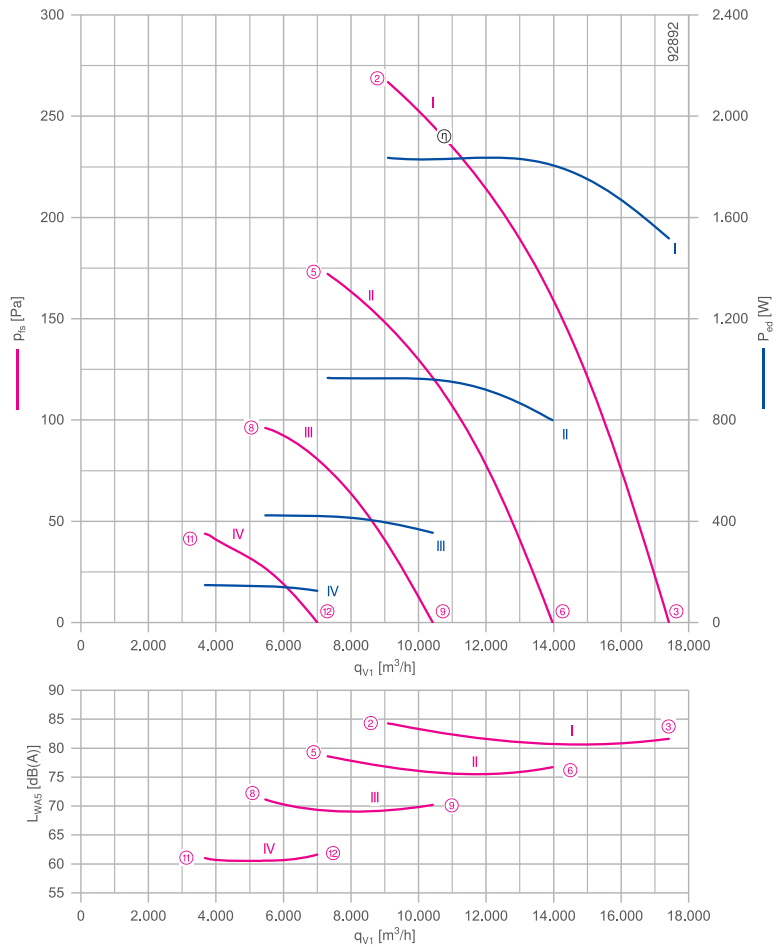
FN063



Description

Motor technology: EC
 Rated voltage U_N : 3- 380-480 V*
 Rated frequency f_N : 50/60 Hz*
 Input power P_{ed} : 1.85 kW*
 Rated current I_N : 3.10- 2.50 A*
 Rated speed n_N : 1270 min⁻¹*
 Thermal class: **THCL155***
 Min. permitted ambient temperature $t_{amb(min)}$: -35 °C***
 Max. permitted ambient temperature $t_{amb(max)}$: 65 °C
 Electrical connection: Integrated controller
 Number of blades: 7
 Degree of protection : IP54
 Motor protection: Integrated active temperature management
 Blades: Aluminium, powder-coated, jet black
 Rotor: Aluminium, 1 coat paint, ultramarine blue
 Conformity: CE
 * Rated data
 *** Continuous operation with occasional starts (S1) according to DIN EN 60034-1:2011-02. Occasional starting between -35 °C and -25 °C is permissible. Continuous operation below -25 °C only with special bearings for refrigeration applications on request.

Characteristic curve



Measured in full bell mouth without guard grille in installation type A according to ISO 5801.

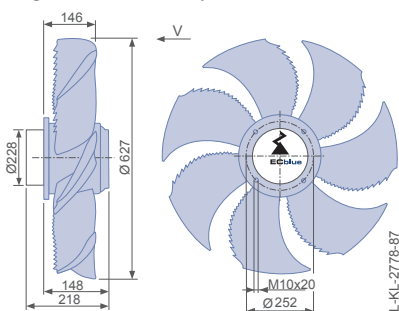
Connection diagram

1360-403

Dimensions mm

Air flow direction V

Design A - without suspension



Performance data

Type	Characteristic curve	Speed	Operating point	Current	Input power	Suction side sound power level
		n min ⁻¹		I A	P _{ed} W	L _{WA5} dB(A)
FN063-ZI_GG_7P3	I	1270	②	3.00	1850	84
			③	2.50	1500	82
		1020	⑤	1.70	960	79
			⑥	1.45	800	77
		760	⑧	0.84	420	71
			⑨	0.72	360	70
	IV	510	⑪	0.36	150	61
			⑫	0.32	130	62

Current values determined at 400V

Fan ordering information

Air flow direction V

Design A

Installation position H/Vu/Vo




Type FN063-ZIA.GG.V7P3
Article no. 178869

Weight kg 24.40

Control technology

Add-on modules Operating terminal



FE2owlet-ECblue

for three phase alternating current, 380-480 V

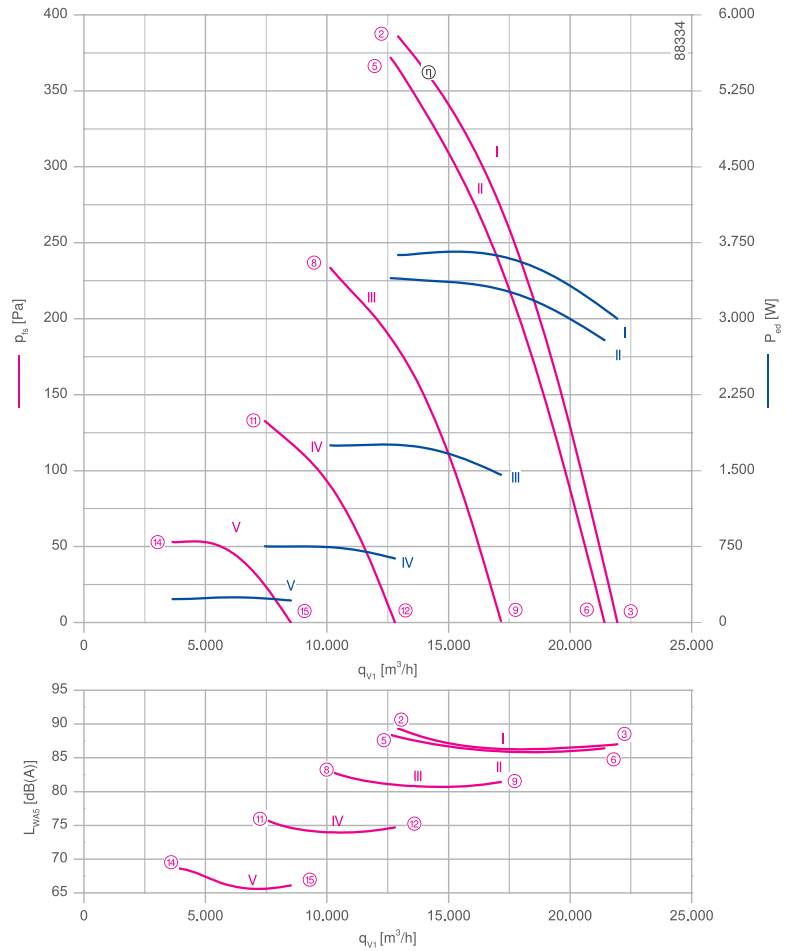
FN063



Description

Motor technology: EC
 Rated voltage U_N : 3- 380-480 V*
 Rated frequency f_N : 50/60 Hz*
 Input power P_{ed} : 3.70 kW*
 Rated current I_N : 5.90- 4.70 A*
 Rated speed n_N : 1600 min⁻¹*
 Thermal class: **THCL155***
 Min. permitted ambient temperature $t_{amb(min)}$: -35 °C***
 Max. permitted ambient temperature $t_{amb(max)}$: 55 °C
 Electrical connection: Integrated controller
 Number of blades: 7
 Degree of protection : IP54
 Motor protection: Integrated active temperature management
 Blades: Aluminium, powder-coated, jet black
 Rotor: Aluminium, 1 coat paint, ultramarine blue
 Conformity: CE
 * Rated data
 *** Continuous operation with occasional starts (S1) according to DIN EN 60034-1:2011-02. Occasional starting between -35 °C and -25 °C is permissible. Continuous operation below -25 °C only with special bearings for refrigeration applications on request.

Characteristic curve



Measured in full bell mouth without guard grille in installation type A according to ISO 5801.

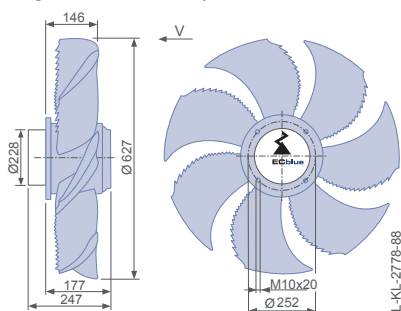
Connection diagram

1360-403

Dimensions mm

Air flow direction V

Design A - without suspension



Performance data

Type	Characteristic curve	Speed	Operating point	Current	Input power	Suction side sound power level	Maximum ambient temperature
		n min ⁻¹		I A	P _{ed} W	L _{WAS} dB(A)	
FN063-ZI_GL_7P3	I	1600	②	5.60	3600	91	55
			③	4.60	3000	87	
	II	1560	⑤	5.20	3400	90	60
			⑥	4.20	2800	86	
	III	1250	⑧	2.70	1750	85	
			⑨	2.30	1450	81	
	IV	930	⑪	1.25	740	77	
			⑫	1.10	640	75	
	V	620	⑭	0.60	250	67	
			⑮	0.54	220	66	

Current values determined at 400V

Fan ordering information

Air flow direction V

Design A

Installation position H/Vu/Vo




Type FN063-ZIA.GL.V7P3
Article no. 178870

Weight kg 28.80

Control technology

Add-on modules Operating terminal



FE2owlet-ECblue

for three phase alternating current, 380-480 V

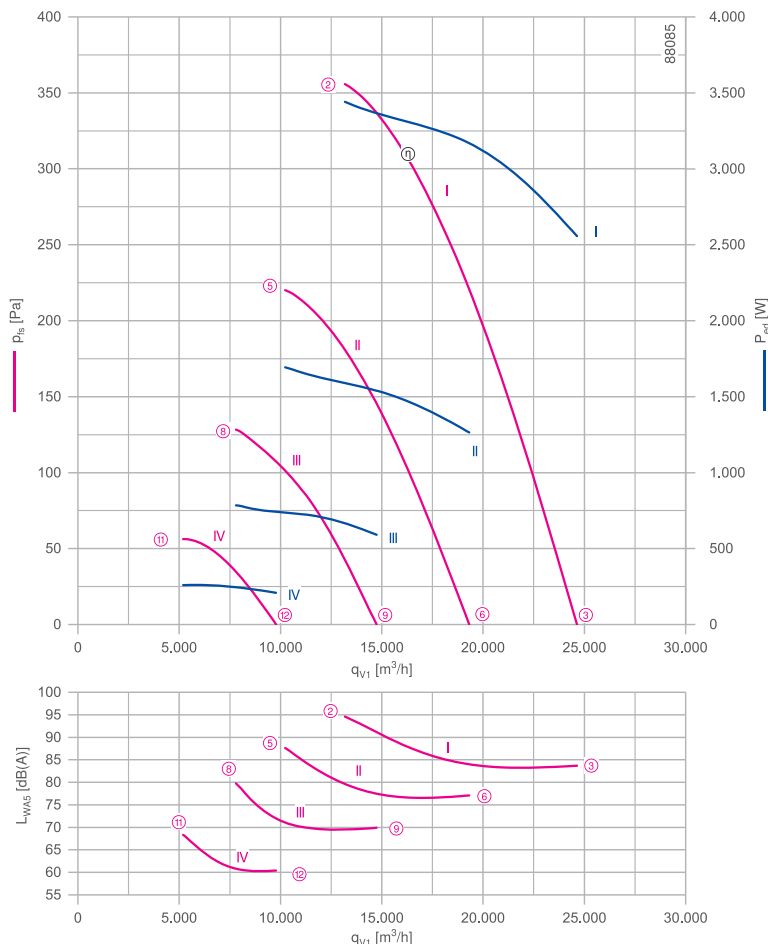
FNO71



Description

Motor technology: EC
 Rated voltage U_N : 3- 380-480 V*
 Rated frequency f_N : 50/60 Hz*
 Input power P_{ed} : 3.50 kW*
 Rated current I_N : 5.40- 4.30 A*
 Rated speed n_N : 1400 min⁻¹*
 Thermal class: **THCL155***
 Min. permitted ambient temperature $t_{amb(min)}$: -35 °C***
 Max. permitted ambient temperature $t_{amb(max)}$: 60 °C
 Electrical connection: Integrated controller
 Number of blades: 7
 Degree of protection : IP54
 Motor protection: Integrated active temperature management
 Blades: Aluminium, powder-coated, jet black
 Rotor: Aluminium, 1 coat paint, ultramarine blue
 Conformity: CE
 * Rated data
 *** Continuous operation with occasional starts (S1) according to DIN EN 60034-1:2011-02. Occasional starting between -35 °C and -25 °C is permissible. Continuous operation below -25 °C only with special bearings for refrigeration applications on request.

Characteristic curve



Measured in full bell mouth without guard grille in installation type A according to ISO 5801.

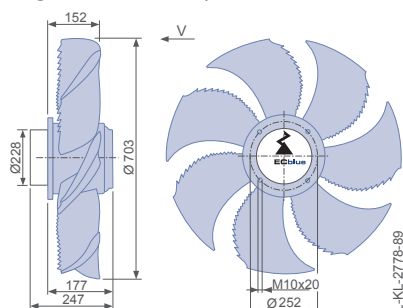
Connection diagram

1360-403

Dimensions mm



Design A - without suspension



Performance data

Type	Characteristic curve	Speed	Operating point	Current	Input power	Suction side sound power level
		n min ⁻¹		I A	P _{ed} W	L _{WA5} dB(A)
FN071-ZI_GL_7P4	I	1400	②	5.20	3500	95
			③	3.90	2600	84
	II	1100	⑤	2.60	1700	88
			⑥	1.95	1250	77
	III	840	⑧	1.30	780	80
			⑨	1.00	600	70
	IV	560	⑪	0.60	260	69
			⑫	0.50	210	60

Current values determined at 400V

Fan ordering information

Air flow direction V

Design A

Installation position H/Vu/Vo




Type FN071-ZIA.GL.V7P4
Article no. 178871

Weight kg 27.40

Control technology

Add-on modules Operating terminal



FE2owlet-ECblue

for three phase alternating current, 380-480 V

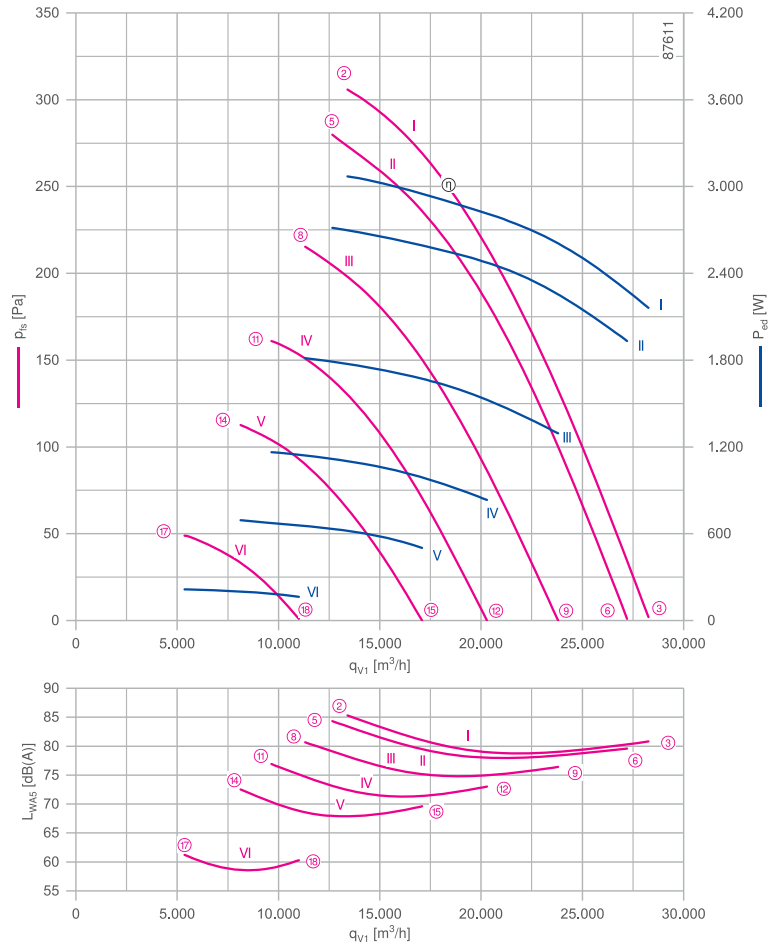
FN080



Description

Motor technology: EC
 Rated voltage U_N : 3- 380-480 V*
 Rated frequency f_N : 50/60 Hz*
 Input power P_{ed} : 3.10 kW*
 Rated current I_N : 4.80- 3.80 A*
 Rated speed n_N : 1100 min⁻¹*
 Thermal class: **THCL155***
 Min. permitted ambient temperature $t_{amb(min)}$: -35 °C***
 Max. permitted ambient temperature $t_{amb(max)}$: 55 °C
 Electrical connection: Integrated controller
 Number of blades: 7
 Degree of protection : IP54
 Motor protection: Integrated active temperature management
 Blades: Aluminium, powder-coated, jet black
 Rotor: Aluminium, 1 coat paint, ultramarine blue
 Conformity: CE
 * Rated data
 *** Continuous operation with occasional starts (S1) according to DIN EN 60034-1:2011-02. Occasional starting between -35 °C and -25 °C is permissible. Continuous operation below -25 °C only with special bearings for refrigeration applications on request.

Characteristic curve



Measured in full bell mouth without guard grille in installation type A according to ISO 5801.

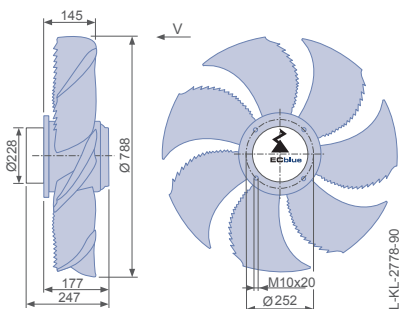
Connection diagram

1360-403

Dimensions mm

Air flow direction V

Design A - without suspension



Performance data

Type	Characteristic curve	Speed	Operating point	Current	Input power	Suction side sound power level	Maximum ambient temperature
		n min^{-1}		I A	P_{ed} W	L_{WAS} dB(A)	$t_{\text{amb (max.)}}$ $^{\circ}\text{C}$
FN080-ZL_GL_7P3	I	1100	②	4.60	3100	86	55
			③	3.30	2200	81	
	II	1060	⑤	4.20	2700	84	60
			⑥	2.90	1950	80	
	III	930	⑧	2.80	1800	81	
			⑨	2.00	1300	76	
	IV	800	⑪	1.80	1150	77	
			⑫	1.35	840	73	
	V	670	⑭	1.15	680	73	
			⑮	0.90	500	70	
	VI	440	⑰	0.52	220	61	
			⑱	0.44	160	60	

Current values determined at 400V

Fan ordering information

Air flow direction V

Design A

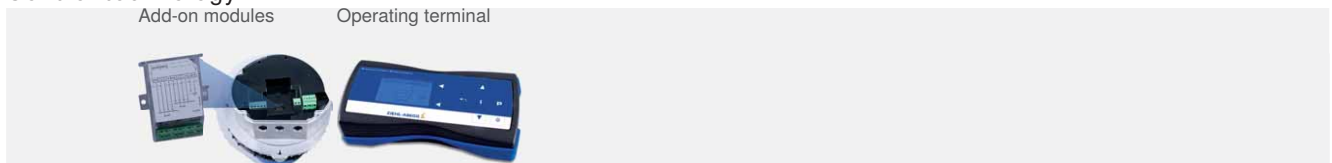
Installation position H/Vu/Vo



Type FN080-ZIA.GL.V7P3
Article no. 178872

Weight kg 30.70

Control technology








FE2owlet-ECblue with ZAplus

EC-Technology

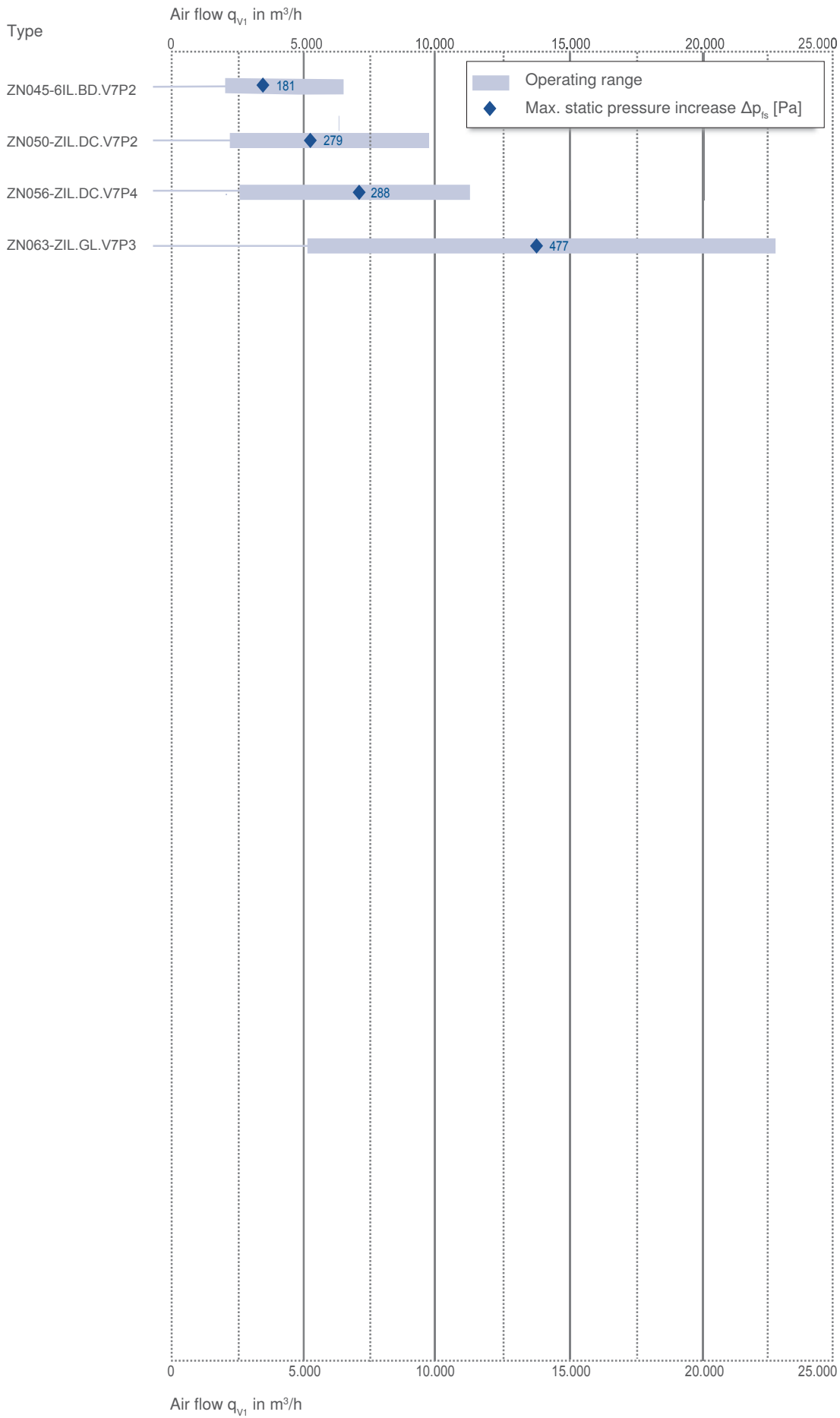
Product overview

Quick selection	Page 48
Size 450	Page 50
Size 500	Page 52
Size 560	Page 54
Size 630	Page 56



Size	Voltage	Type	Air flow direction	Page
450	110V DC	ZN045-6IL.BD.V7P2	 V	50
500	3~ 380-480V	ZN050-ZIL.DC.V7P2	 V	52
560	3~ 380-480V	ZN056-ZIL.DC.V7P4	 V	54
630	3~ 380-480V	ZN063-ZIL.GL.V7P3	 V	56





FE2owlet-ECblue with ZPlus

for direct current, 110 V

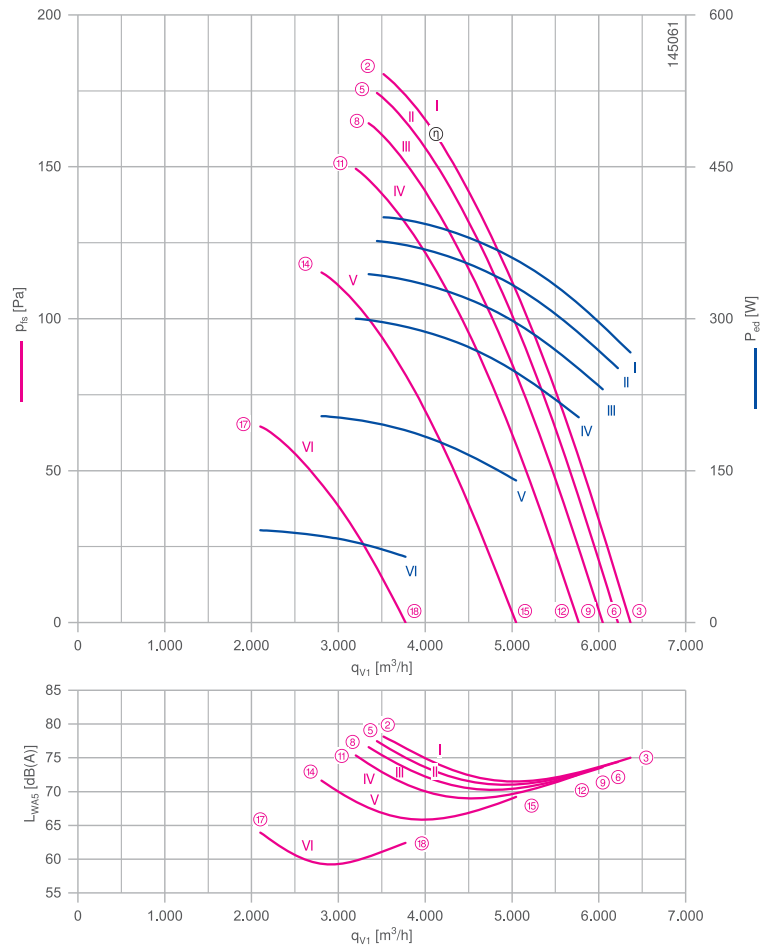
ZN045



Description

Motor technology: EC
 Rated voltage U_N : **DC 110 V***
 Rated frequency f_N : **50/60 Hz***
 Input power P_{ed} : **400 W***
 Rated current I_N : **3.60 A***
 Rated speed n_N : **1460 min⁻¹***
 Thermal class: **THCL155***
 Min. permitted ambient temperature $t_{amb(min)}$: **-35 °C*****
 Max. permitted ambient temperature $t_{amb(max)}$: **40 °C**
 Electrical connection: Integrated controller
 Number of blades: 7
 Degree of protection : IP54
 Motor protection: Integrated active temperature management
 Blades: High Performance Composite Material, uncoated, black
 Rotor: Steel, 2 coat paint, ultramarine blue
 Conformity: CE
 * Rated data
 *** Continuous operation with occasional starts (S1) according to DIN EN 60034-1:2011-02. Occasional starting between -35 °C and -25 °C is permissible. Continuous operation below -25 °C only with special bearings for refrigeration applications on request.

Characteristic curve



Measured in ZPlus without guard grille in installation type A according to ISO 5801

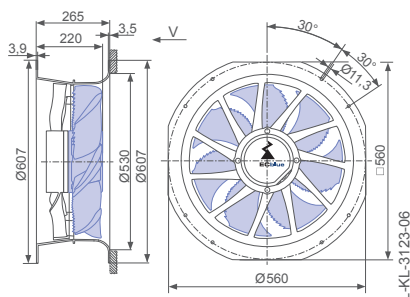
Connection diagram

1360-384

Dimensions mm



Design L - ZPlus Ontop without guard grille



Performance data

Type	Characteristic curve	Speed	Operating point	Current	Input power	Suction side sound power level	Maximum ambient temperature
		n min ⁻¹		I A	P _{ed} W	L _{WAS} dB(A)	
ZN045-6L_BD.V7P2	I	1460*	②	3.60*	400	78	40
		1460	③	2.40	270	75	
	II	1430	⑤	3.40	380	78	50
			⑥	2.30	250	74	
	III	1390	⑧	3.10	340	77	60
			⑨	2.10	230	74	
	IV	1330	⑪	2.70	300	76	70
			⑫	1.85	200	73	
	V	1170	⑭	1.85	200	72	
			⑮	1.25	140	69	
	VI	880	⑰	0.82	90	64	
			⑱	0.58	65	62	

*rated data

Fan ordering information

Air flow direction V

Design L (without guard grille)
Ontop

Installation position H/Vu/Vo




Type ZN045-6L.BD.V7P2
Article no. 179754

Weight kg 9.20

Control technology

Operating terminal



FE2owlet-ECblue with ZPlus

for three phase alternating current, 380-480 V

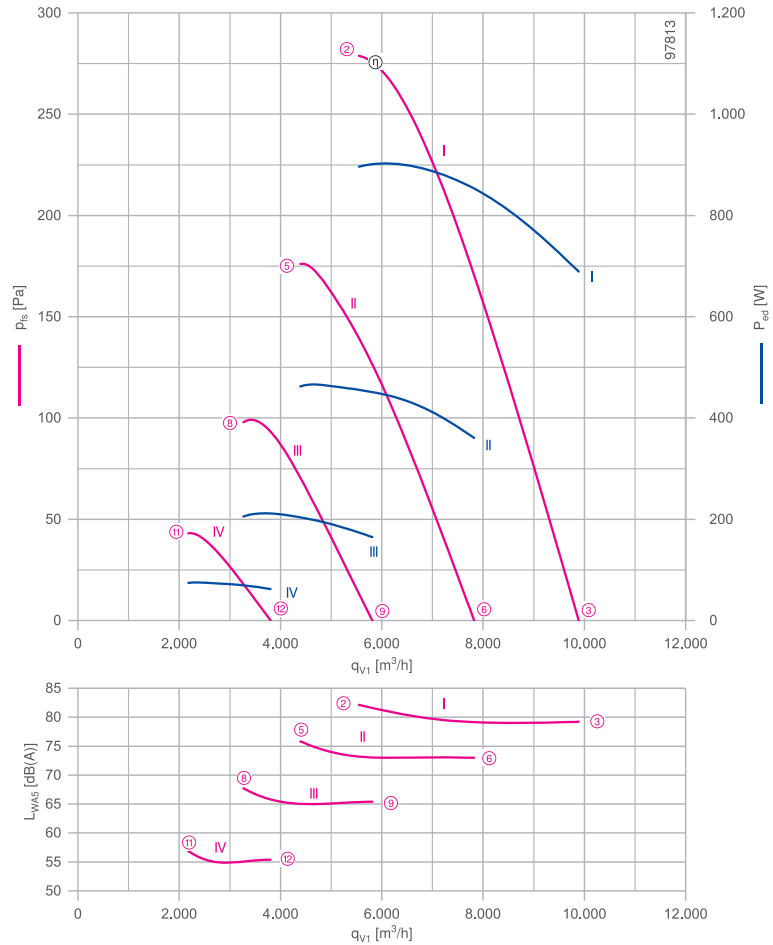
ZN050



Description

Motor technology: EC
 Rated voltage U_N : 3- 380-480 V*
 Rated frequency f_N : 50/60 Hz*
 Input power P_{ed} : 0.90 kW*
 Rated current I_N : 1.55- 1.25 A*
 Rated speed n_N : 1550 min⁻¹*
 Thermal class: THCL155*
 Min. permitted ambient temperature $t_{amb(min)}$: -35 °C***
 Max. permitted ambient temperature $t_{amb(max)}$: 60 °C
 Electrical connection: Integrated controller
 Number of blades: 7
 Degree of protection : IP54
 Motor protection: Integrated active temperature management
 Blades: High Performance Composite Material, uncoated, black
 Rotor: Steel, 2 coat paint, ultramarine blue
 Conformity: CE
 * Rated data
 *** Continuous operation with occasional starts (S1) according to DIN EN 60034-1:2011-02. Occasional starting between -35 °C and -25 °C is permissible. Continuous operation below -25 °C only with special bearings for refrigeration applications on request.

Characteristic curve



Measured in ZPlus without guard grille in installation type A according to ISO 5801

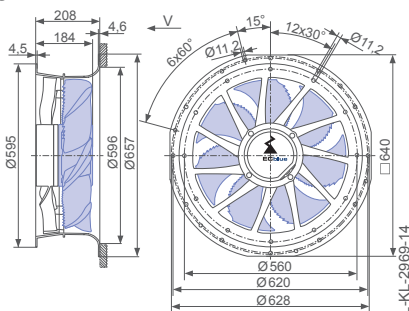
Connection diagram

1360-403

Dimensions mm



Design L - ZPlus Ontop without guard grille



Performance data

Type	Characteristic curve	Speed	Operating point	Current	Input power	Suction side sound power level
		n min ⁻¹		I A	P _{ed} W	L _{WA5} dB(A)
ZN050-ZL_DC.V7P2	I	1550	②	1.45	900	82
			③	1.20	680	79
	II	1240	⑤	0.90	460	76
			⑥	0.76	360	73
	III	930	⑧	0.54	210	68
			⑨	0.46	160	65
	IV	620	⑪	0.29	75	57
			⑫	0.26	60	55

Current values determined at 400V

Fan ordering information

Air flow direction V

Design L (without guard grille)
Ontop

Installation position H/Vu/Vo




Type ZN050-ZIL.DC.V7P2
Article no. 179755

Weight kg 13.90

Control technology

Add-on modules Operating terminal



FE2owlet-ECblue with ZPlus

for three phase alternating current, 380-480 V

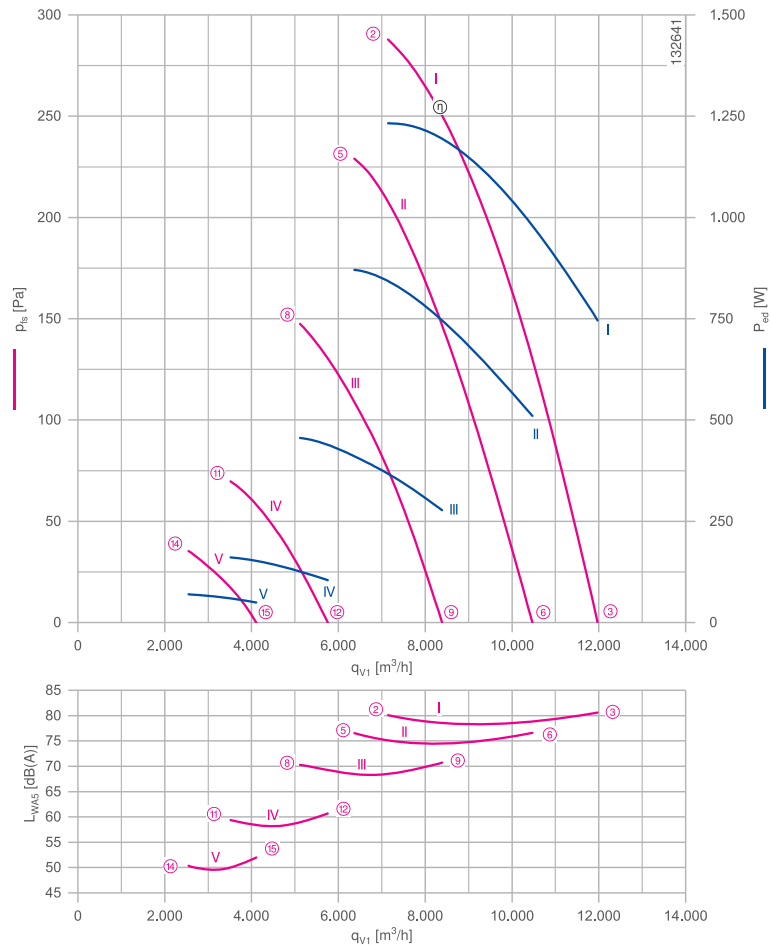
ZN056



Description

Motor technology: EC
 Rated voltage U_N : 3- 380-480 V*
 Rated frequency f_N : 50/60 Hz*
 Input power P_{ed} : 1.25 kW*
 Rated current I_N : 2.00- 1.60 A*
 Rated speed n_N : 1440 min⁻¹*
 Thermal class: THCL155*
 Min. permitted ambient temperature $t_{amb(min)}$: -35 °C***
 Max. permitted ambient temperature $t_{amb(max)}$: 50 °C
 Electrical connection: Integrated controller
 Number of blades: 5
 Degree of protection : IP54
 Motor protection: Integrated active temperature management
 Blades: High Performance Composite Material, uncoated, black
 Rotor: Steel, 2 coat paint, ultramarine blue
 Conformity: CE
 * Rated data
 *** Continuous operation with occasional starts (S1) according to DIN EN 60034-1:2011-02. Occasional starting between -35 °C and -25 °C is permissible. Continuous operation below -25 °C only with special bearings for refrigeration applications on request.

Characteristic curve



Measured in ZPlus without guard grille in installation type A according to ISO 5801

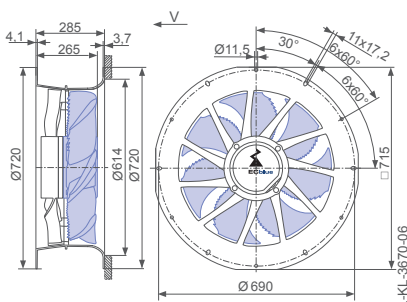
Connection diagram

1360-403

Dimensions mm

Air flow direction V

Design L - ZPlus Ontop without guard grille



Performance data

Type	Characteristic curve	Speed	Operating point	Current	Input power	Suction side sound power level	Maximum ambient temperature
		n min^{-1}		I A	P_{ed} W	L_{WAS} dB(A)	$t_{\text{amb (max.)}}$ $^{\circ}\text{C}$
ZN056-ZL_DC.V5P4	I	1450	②	1.95	1250	80	50
			③	1.25	740	81	
			⑤	1.45	880	76	
	II	1270	⑥	0.96	520	77	60
			⑧	0.88	460	70	
	III	1020	⑨	0.64	280	71	70
			⑪	0.46	160	59	
	IV	700	⑫	0.34	100	61	70
			⑭	0.27	70	51	
	V	500	⑮	0.23	50	52	

Current values determined at 400V

Fan ordering information

Air flow direction V

Design L (without guard grille)
Ontop

Installation position H/Vu/Vo




Type ZN056-ZIL.DC.V5P4
Article no. 179756

Weight kg 16.70

Control technology

Add-on modules Operating terminal



FE2owlet-ECblue with ZPlus

for three phase alternating current, 380-480 V

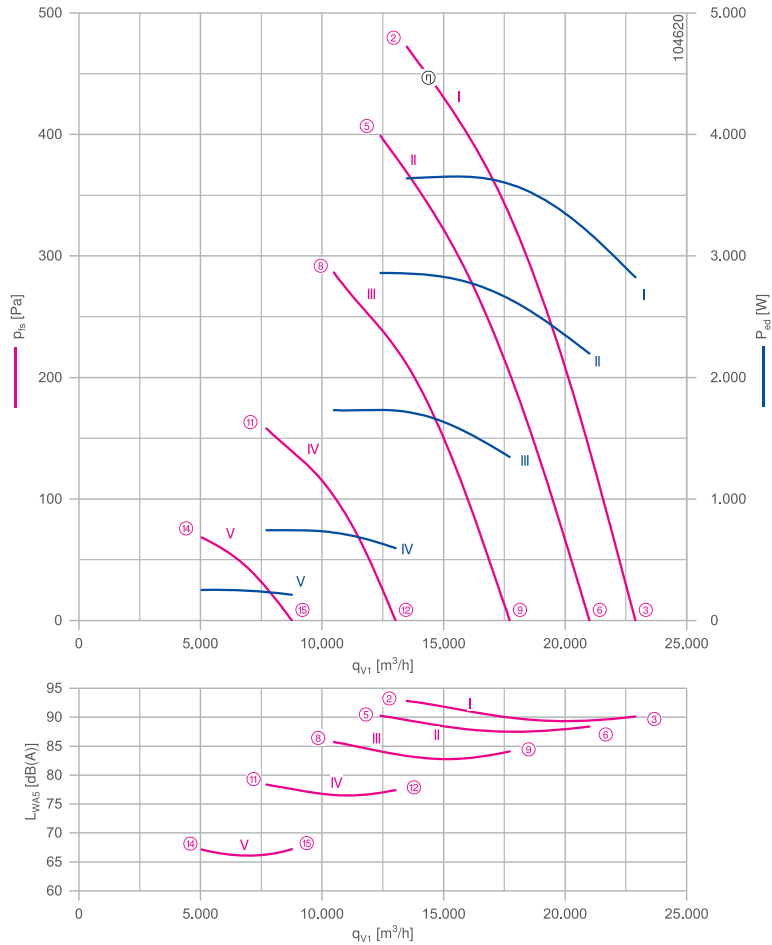
ZN063



Description

Motor technology: EC
 Rated voltage U_N : 3- 380-480 V*
 Rated frequency f_N : 50/60 Hz*
 Input power P_{ed} : 3.70 kW*
 Rated current I_N : 6.00- 4.70 A*
 Rated speed n_N : 1600 min⁻¹*
 Thermal class: THCL155*
 Min. permitted ambient temperature $t_{amb(min)}$: -35 °C***
 Max. permitted ambient temperature $t_{amb(max)}$: 55 °C
 Electrical connection: Integrated controller
 Number of blades: 7
 Degree of protection : IP54
 Motor protection: Integrated active temperature management
 Blades: Aluminium, powder-coated, jet black
 Rotor: Aluminium, 1 coat paint, ultramarine blue
 Conformity: CE
 * Rated data
 *** Continuous operation with occasional starts (S1) according to DIN EN 60034-1:2011-02. Occasional starting between -35 °C and -25 °C is permissible. Continuous operation below -25 °C only with special bearings for refrigeration applications on request.

Characteristic curve



Measured in ZPlus without guard grille in installation type A according to ISO 5801

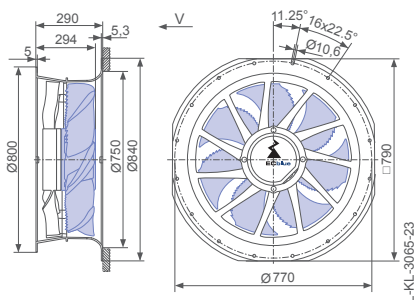
Connection diagram

1360-403

Dimensions mm



Design L - ZPlus Ontop without guard grille



Performance data

Type	Characteristic curve	Speed	Operating point	Current	Input power	Suction side sound power level	Maximum ambient temperature
		n min ⁻¹		I A	P _{ed} W	L _{WAS} dB(A)	
ZN063-ZL_GL.V7P3	I	1600	②	5.60	3600	93	55
			③	4.40	2800	90	
	II	1480	⑤	4.40	2900	90	60
			⑥	3.40	2200	88	
	III	1250	⑧	2.70	1700	86	
			⑨	2.10	1350	84	
	IV	930	⑪	1.25	740	78	
			⑫	1.05	600	77	
	V	620	⑭	0.58	250	67	
			⑮	0.52	210	67	

Current values determined at 400V

Fan ordering information

Air flow direction V

Design L (without guard grille)
Ontop

Installation position H/Vu/Vo




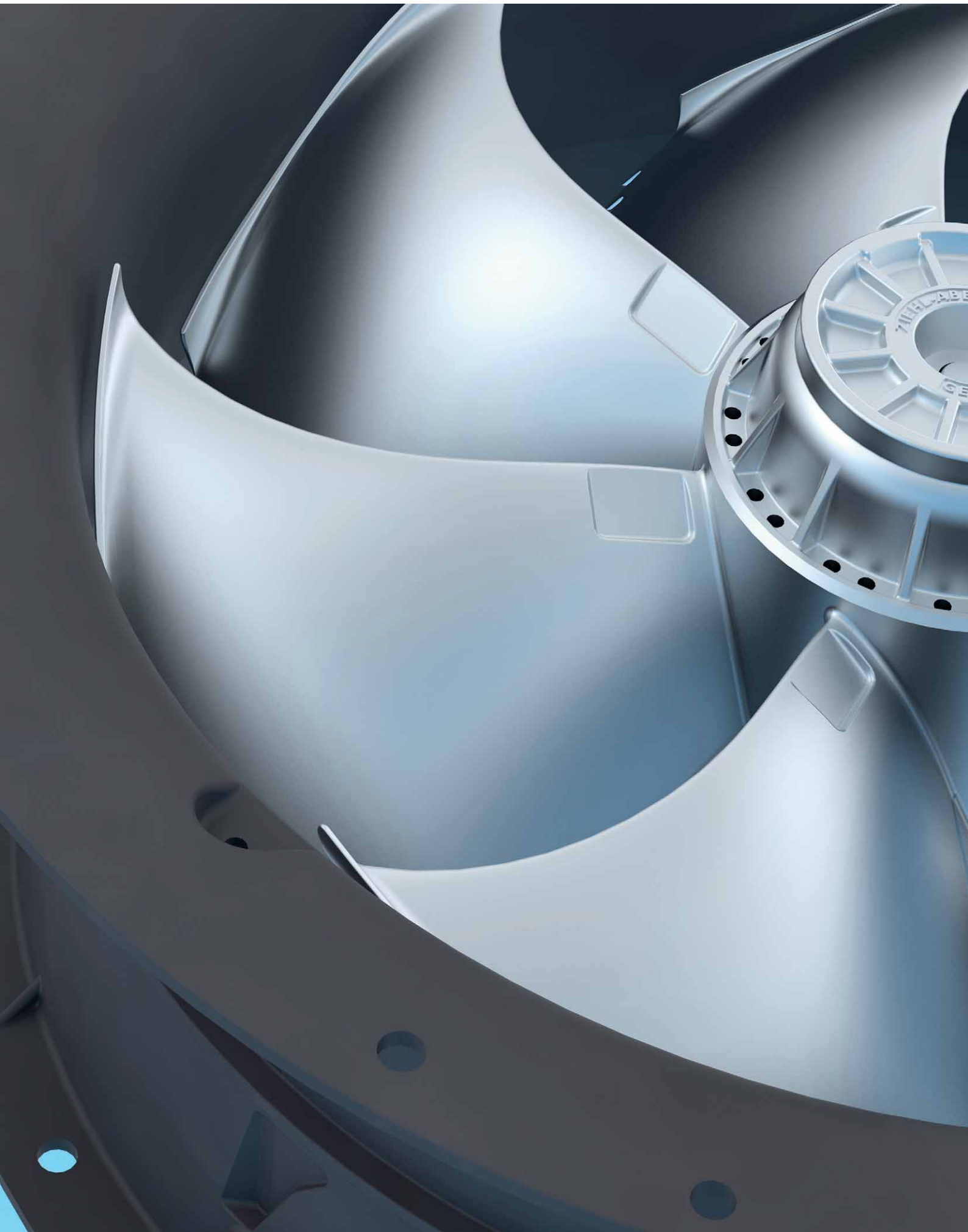
Type ZN063-ZIL.GL.V7P3
Article no. 179757

Weight kg 37.42

Control technology

Add-on modules Operating terminal







FE2owlet with ZAplus

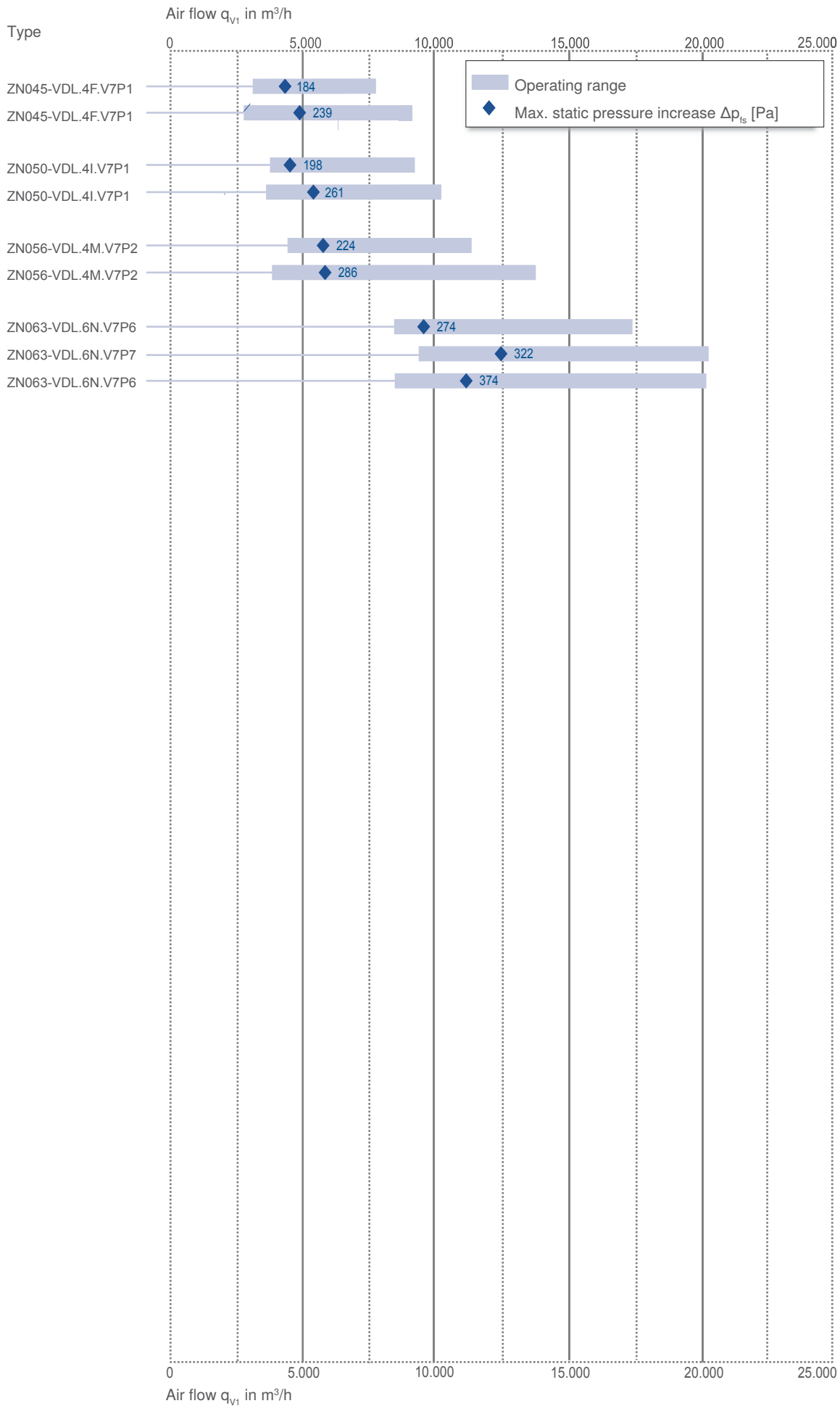
AC-Technology

Product overview

Quick selection	Page 60
Size 450	Page 62
Size 500	Page 64
Size 560	Page 66
Size 630	Page 68

Size	Frequency	Voltage	Number of poles	Type	Air flow direction	Page
450	50 Hz	3~ 400V	4-4	ZN045-VDL.4F.V7P1	← V	62
	60 Hz	3~ 400/460V		ZN045-VDL.4F.V7P1	← V	62
500	50 Hz	3~ 400V	4-4	ZN050-VDL.4I.V7P1	← V	64
	60 Hz	3~ 400/460V		ZN050-VDL.4I.V7P1	← V	64
560	50 Hz	3~ 400V	4-4	ZN056-VDL.4M.V7P2	← V	66
	60 Hz	3~ 400/460V		ZN056-VDL.4M.V7P2	← V	66
630	50 Hz	3~ 400V	4-4	ZN063-VDL.6N.V7P6	← V	68
	60 Hz	3~400/460V		ZN063-VDL.6N.V7P7	← V	70
				ZN063-VDL.6N.V7P6	← V	68





FE2owlet with ZPlus

for three phase alternating current, 4-4 pole

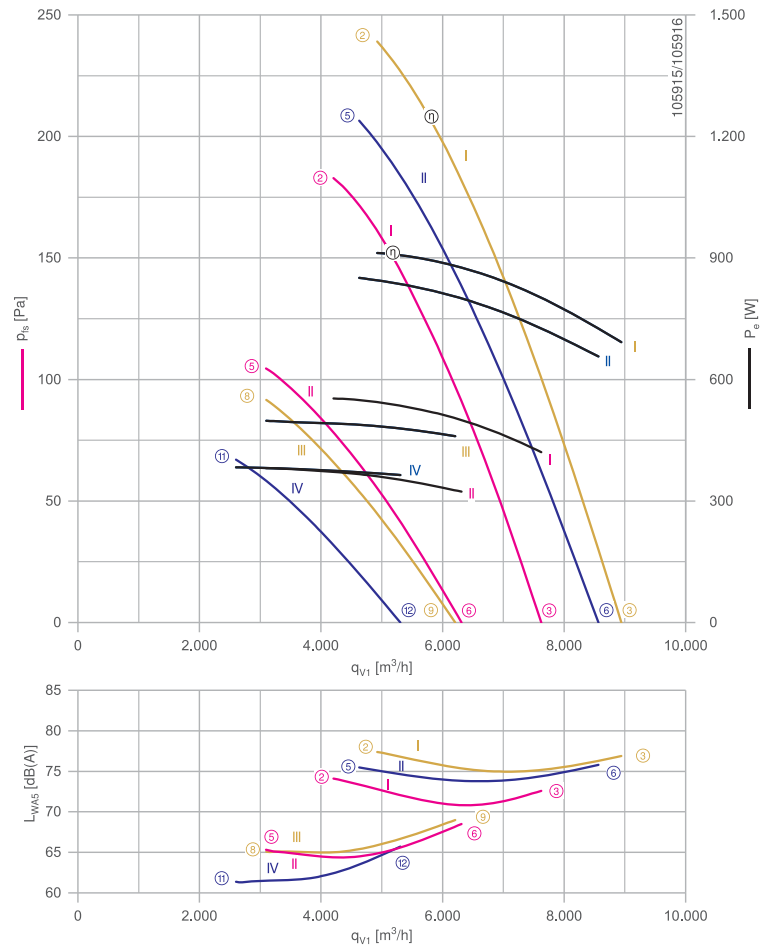
ZNO45-VD



Description

Motor technology: AC
 Rated voltage U_N :
 3~400 V (Δ/Y) | 3~400 V (Δ/Y) | 3~460 V (Δ/Y) * Rated
 frequency f_N : 50 Hz | 60 Hz | 60 Hz*
 Input power P_e :
 560/380 W | 840/380 W | 920/500 W*
 Rated current I_N :
 1.10/0.68 A | 1.50/0.76 A | 1.45/0.82 A*
 Rated speed n_N :
 1350/1020 min⁻¹ | 1450/820 min⁻¹ | 1560/960 min⁻¹*
 Starting current I_s : 4.00/1.20 A | 3.60/1.00 A | 4.20/1.20 A
 Current increase ΔI : 10 % | 0 % | 5 %
 Thermal class: THCL155*
 Min. permitted ambient temperature $t_{amb(min)}$: -40 °C***
 Max. permitted ambient temperature $t_{amb(max)}$:
 70 °C | 50 °C | 50 °C
 Electrical connection: Terminal box
 Number of blades: 7
 Degree of protection : IP54
 Motor protection: thermal contact
 Blades: Aluminium, 2 coat paint, jet black
 Rotor: Aluminium, 2 coat paint, jet black
 Conformity: CE
 * Rated data
 *** Continuous operation with occasional starts (S1) according to DIN EN 60034-1:2011-02. Occasional starting between -40 °C and -25 °C is permissible. Continuous operation below -25 °C only with special bearings for refrigeration applications on request.

Characteristic curve



Measured in ZPlus without guard grille in installation type A according to ISO 5801

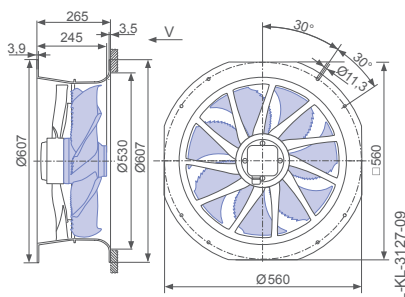
Connection diagram

1360-108XA

Dimensions mm

Air flow direction V

Design L - ZPlus Ontop without guard grille



Performance data

Type	Connection	Characteristic curve	Voltage	Frequency	Operating point	Current	Input power	Speed	Suction side sound power level L_{WAS} dB(A)	
			U V	f Hz		I A	P_o W	n min ⁻¹		
ZN045-VD_4F.V7P1	Δ	I	400*	50	②	1.10*	560*	1350*	74	
			400			③	0.92	420	1400	73
			400*			⑤	0.68*	380*	1010*	66
	Y	II	400		⑥	0.58	320	1160	69	
			460*		60	②	1.45*	920*	1550*	77
						③	1.15	700	1640	77
	II	400*	⑤	1.50*	840*	1440*	76			
		400	⑥	1.15	660	1570	76			
	Y	III	460*	⑧	0.82*	500*	960*	65		
			460	⑨	0.74	460	1140	69		
			400*	⑪	0.74*	380*	820*	62		
	400	⑫	0.70	360	970	66				

*rated data

Fan ordering information

Air flow direction V

Design L (without guard grille)
Ontop

Installation position H/Vu



Type ZN045-VDL.4F.V7P1
Article no. 179979

Weight kg 13.40

FE2owlet with ZPlus

for three phase alternating current, 4-4 pole

ZN050-VD



Description

Motor technology: AC
 Rated voltage U_N :
 3~400 V (Δ/Y) | 3~400 V (Δ/Y) | 3~460 V (Δ/Y) *
 Rated frequency f_N : 50 Hz | 60 Hz | 60 Hz*
 Input power P_e :
 0.74/0.46 kW | 1.00/0.56 kW | 1.15/0.66 kW*
 Rated current I_N :
 1.60/0.80 A | 1.85/0.94 A | 1.90/0.99 A*
 Rated speed n_N :
 1290/1020 min⁻¹ | 1390/980 min⁻¹ | 1480/1090 min⁻¹*
 Starting current I_a : 5.50/1.70 A | 5.00/1.60 A | 6.00/1.80 A
 Current increase ΔI : 0 % | 0 % | 0 %
 Thermal class: THCL155*
 Min. permitted ambient temperature $t_{amb(min)}$: -40 °C***
 Max. permitted ambient temperature $t_{amb(max)}$:
 70 °C | 70 °C | 70 °C
 Electrical connection: Terminal box
 Number of blades: 7
 Degree of protection : IP54
 Motor protection: thermal contact
 Blades: Aluminium, 2 coat paint, jet black
 Rotor: Aluminium, 2 coat paint, jet black
 Conformity: CE

* Rated data

*** Continuous operation with occasional starts (S1) according to DIN EN 60034-1:2011-02. Occasional starting between -40 °C and -25 °C is permissible. Continuous operation below -25 °C only with special bearings for refrigeration applications on request.

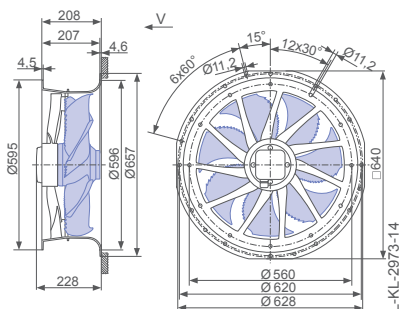
Connection diagram

1360-108XA

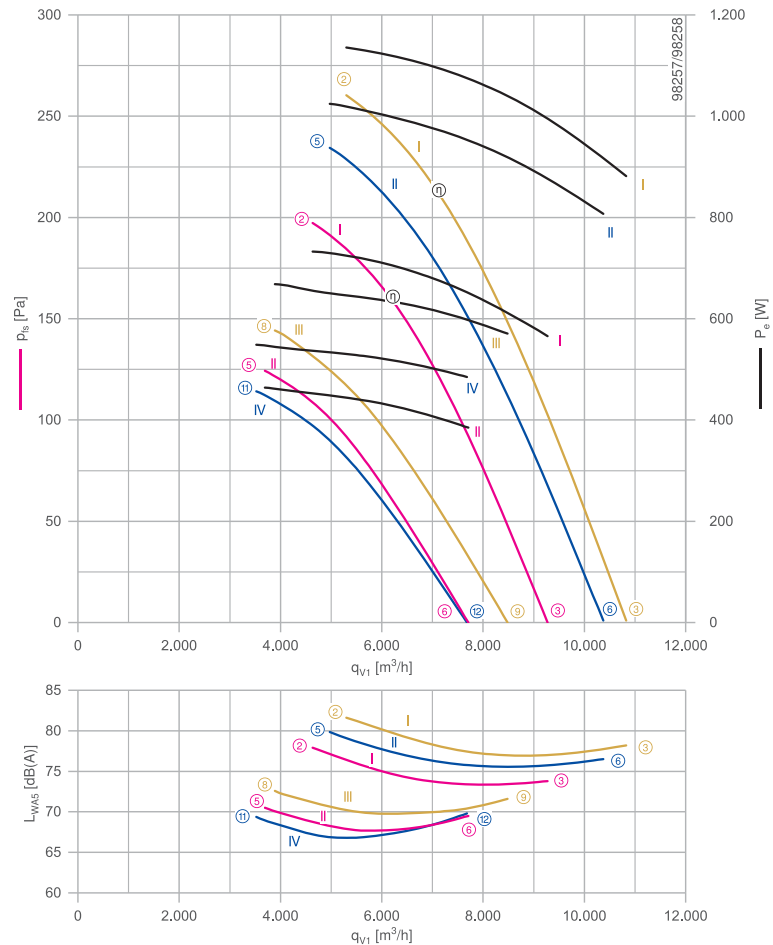
Dimensions mm

← Air flow direction V

Design L - ZPlus Ontop without guard grille



Characteristic curve



Measured in ZPlus without guard grille in installation type A according to ISO 5801



Performance data

Type	Connection	Characteristic curve	Voltage	Frequency	Operating point	Current	Input power	Speed	Suction side sound power level L_{WAS} dB(A)	
			U V	f Hz		I A	P_o W	n min ⁻¹		
ZN050-VD_4I.V7P1	Δ	I	400*	50	②	1.60*	740*	1290*	78	
			400			③	1.45	560	1340	74
	Y	II	400*		⑤	0.80*	460*	1020*	71	
			400		⑥	0.68	380	1120	70	
	Δ	I	460*		60	②	1.90*	1150*	1470*	82
			460				③	1.60	880	1560
		II	400*	⑤		1.85*	1000*	1390*	80	
			400	⑥		1.55	800	1500	77	
	Y	III	460*		⑧	0.98*	660*	1090*	73	
			460			⑨	0.86	580	1240	72
		IV	400*		⑪	0.94*	540*	980*	70	
			400		⑫	0.84	480	1120	70	

*rated data

Fan ordering information

← Air flow direction V

Design	L (without guard grille) Ontop
Installation position	H/Vu
	
Type	ZN050-VDL.4I.V7P1
Article no.	179980
Weight kg	15.80

FE2owlet with ZPlus

for three phase alternating current, 4-4 pole

ZN056-VD



Description

Motor technology: AC
 Rated voltage U_N :
 3~400 V (Δ/Y) | 3~400 V (Δ/Y) | 3~460 V (Δ/Y) *
 Rated frequency f_N : 50 Hz | 60 Hz | 60 Hz*
 Input power P_e :
 1.10/0.62 kW | 1.45/0.62 kW | 1.70/0.80 kW*
 Rated current I_N :
 2.30/1.20 A | 2.90/1.25 A | 2.90/1.40 A*
 Rated speed n_N :
 1310/940 min^{-1} | 1340/830 min^{-1} | 1470/950 min^{-1} *
 Starting current I_s : 6.50/1.90 A | 5.50/1.60 A | 7.00/1.90 A
 Current increase ΔI : 0 % | 0 % | 0 %
 Thermal class: THCL155*
 Min. permitted ambient temperature $t_{\text{amb(min)}}$: -40 °C***
 Max. permitted ambient temperature $t_{\text{amb(max)}}$:
 70 °C | 40 °C | 40 °C
 Electrical connection: Terminal box
 Number of blades: 7
 Degree of protection : IP54
 Motor protection: thermal contact
 Blades: Aluminium, 2 coat paint, jet black
 Rotor: Aluminium, 2 coat paint, jet black
 Conformity: CE

* Rated data

*** Continuous operation with occasional starts (S1) according to DIN EN 60034-1:2011-02. Occasional starting between -40 °C and -25 °C is permissible. Continuous operation below -25 °C only with special bearings for refrigeration applications on request.

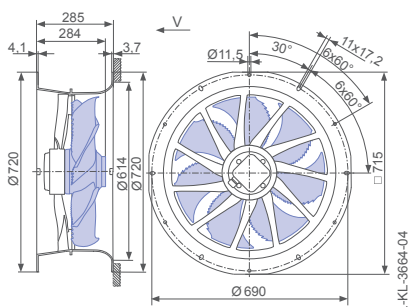
Connection diagram

1360-108XA

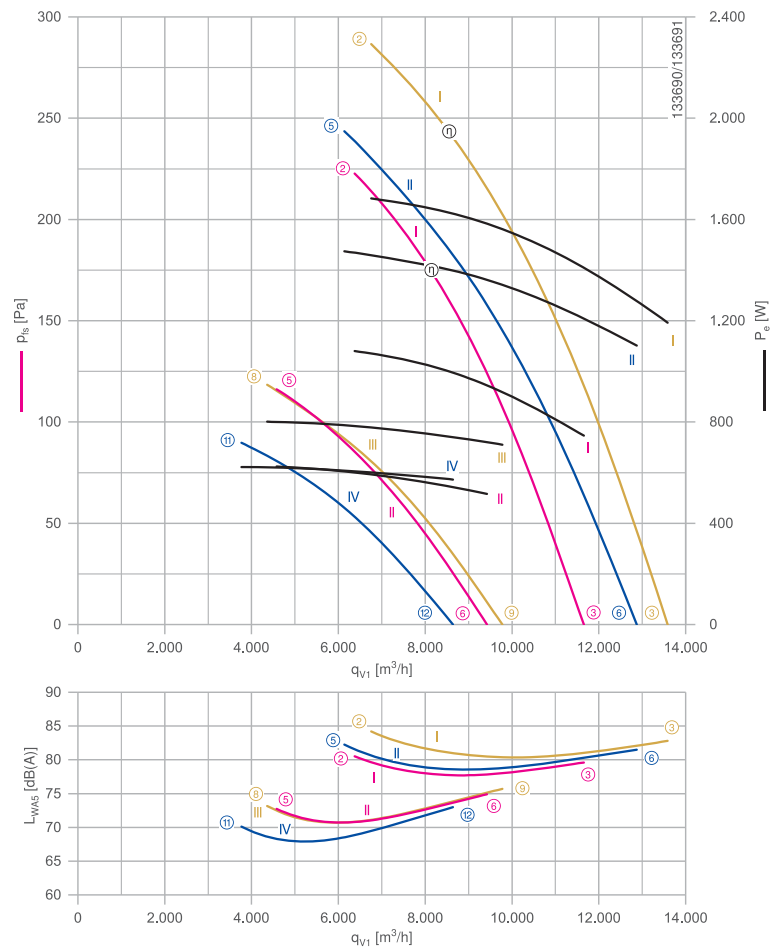
Dimensions mm

← Air flow direction V

Design L - ZPlus Ontop without guard grille



Characteristic curve



Measured in ZPlus without guard grille in installation type A according to ISO 5801



Performance data

Type	Connection	Characteristic curve	Voltage	Frequency	Operating point	Current	Input power	Speed	Suction side sound power level L_{WAS} dB(A)		
			U V	f Hz		I A	P_e W	n min ⁻¹			
ZN056-VD_4M.V7P2	Δ	I	400*	50	②	2.30*	1100*	1310*	81		
			400			③	1.90	740	1380	80	
			400*			⑤	1.20*	620*	940*	73	
	Y	II	400		⑥	1.00	520	1130	75		
			460*		60	②	2.90*	1700*	1460*	84	
			460			③	2.20	1200	1610	83	
	400*	⑤	2.90*	1450*		1340*	82				
	400	⑥	2.20	1100		1530	82				
	Δ	I	460*	60		②	2.90*	1700*	1460*	84	
			460				③	2.20	1200	1610	83
			400*		⑤		2.90*	1450*	1340*	82	
	Y	III	460*		⑥	2.20	1100	1530	82		
460			60		⑧	1.40*	800*	950*	73		
460					⑨	1.20	720	1160	76		
400*	⑩	1.25*			620*	820*	70				
Y	IV	400*			60	⑪	1.25*	620*	820*	70	
		400					⑫	1.15	580	1030	73

*rated data

Fan ordering information

← Air flow direction V

Design	L (without guard grille) Ontop
Installation position	H/Vu
	
Type	ZN056-VDL.4M.V7P2
Article no.	179981
Weight kg	19.00

FE2owlet with ZPlus

for three phase alternating current, 4-4 pole

ZN063-VD



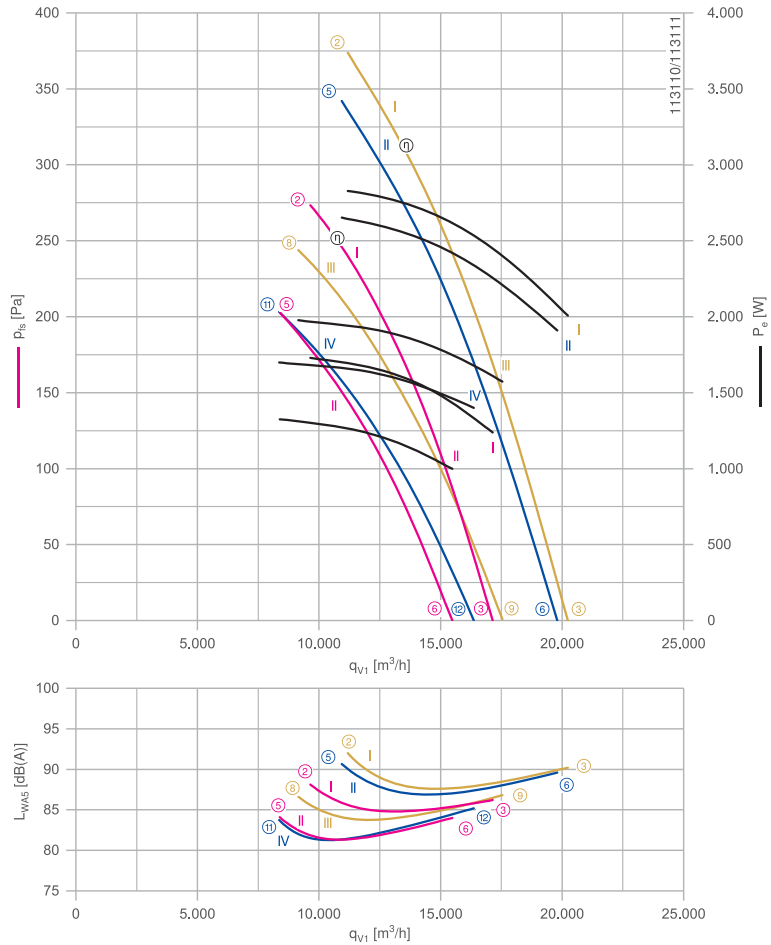
Description

Motor technology: AC
 Rated voltage U_N :
 3~400 V (Δ/Y) | 3~400 V (Δ/Y) | 3~460 V (Δ/Y) *
 Rated frequency f_N : 50 Hz | 60 Hz | 60 Hz*
 Input power P_e :
 1.75/1.35 kW | 2.70/1.70 kW | 2.80/2.00 kW*
 Rated current I_N :
 3.70/2.20 A | 4.60/2.90 A | 4.60/2.90 A*
 Rated speed n_N :
 1400/1210 min⁻¹ | 1590/1220 min⁻¹ | 1640/1330 min⁻¹*
 Starting current I_s : 20.00/6.50 A | 19.00/6.00 A | 22.00/7.00 A
 Current increase ΔI : 5 % | 10 % | 10 %
 Thermal class: THCL155*
 Min. permitted ambient temperature $t_{amb(min)}$: -40 °C***
 Max. permitted ambient temperature $t_{amb(max)}$:
 70 °C | 65 °C | 65 °C
 Electrical connection: Terminal box
 Number of blades: 7
 Degree of protection : IP54
 Motor protection: thermal contact
 Blades: Aluminium, 2 coat paint, jet black
 Rotor: Aluminium, 2 coat paint, jet black
 Conformity: CE

* Rated data

*** Continuous operation with occasional starts (S1) according to DIN EN 60034-1:2011-02. Occasional starting between -40 °C and -25 °C is permissible. Continuous operation below -25 °C only with special bearings for refrigeration applications on request.

Characteristic curve



Measured in ZPlus without guard grille in installation type A according to ISO 5801

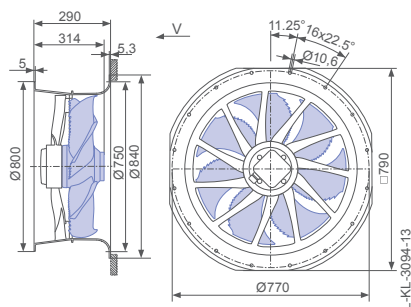
Connection diagram

1360-108XA

Dimensions mm



Design L - ZPlus Ontop without guard grille



Performance data

Type	Connection	Characteristic curve	Voltage	Frequency	Operating point	Current	Input power	Speed	Suction side sound power level	
			U V	f Hz		I A	P _e W	n min ⁻¹	L _{WAS} dB(A)	
ZN063-VD_6N.V7P6	Δ	I	400*	50	②	3.70*	1750*	1400*	88	
			400			③	3.10	1250	1440	86
	Y	II	400*		⑤	2.20*	1300*	1210*	84	
			400		⑥	1.75	1000	1300	84	
	Δ	I	460*		60	②	4.60*	2800*	1640*	92
			460				③	3.60	2000	1700
		II	400*	⑤		4.60*	2700*	1590*	91	
			400	⑥		3.50	1900	1660	90	
	Y	III	460*	⑧		2.90*	2000*	1330*	87	
			460	⑨		2.30	1550	1470	87	
		IV	400*	⑪		2.90*	1700*	1220*	84	
			400	⑫		2.40	1400	1380	85	

*rated data

Fan ordering information

Air flow direction V

Design L (without guard grille)
Ontop

Installation position H/Vu



Type ZN063-VDL.6N.V7P6
Article no. 179982

Weight kg 32.00

FE2owlet with ZPlus

for three phase alternating current, 4-4 pole

ZN063-VD



Description

Motor technology: AC
 Rated voltage U_N :
3~ 400 V (Δ/Y)*
 Rated frequency f_N : **50 Hz***
 Input power P_e :
2.70/1.75 kW*
 Rated current I_N :
5.00/2.90 A*
 Rated speed n_N :
1330/1040 min⁻¹*
 Starting current I_A : **19.00/6.00 A**
 Current increase ΔI : **5 %**
 Thermal class: THCL155*
 Min. permitted ambient temperature $t_{amb(min)}$: **-40 °C*** Max.**
 permitted ambient temperature $t_{amb(max)}$:
60 °C

Electrical connection: Terminal box

Number of blades: 7

Degree of protection : IP54

Motor protection: thermal contact

Blades: Aluminium, 2 coat paint, jet black

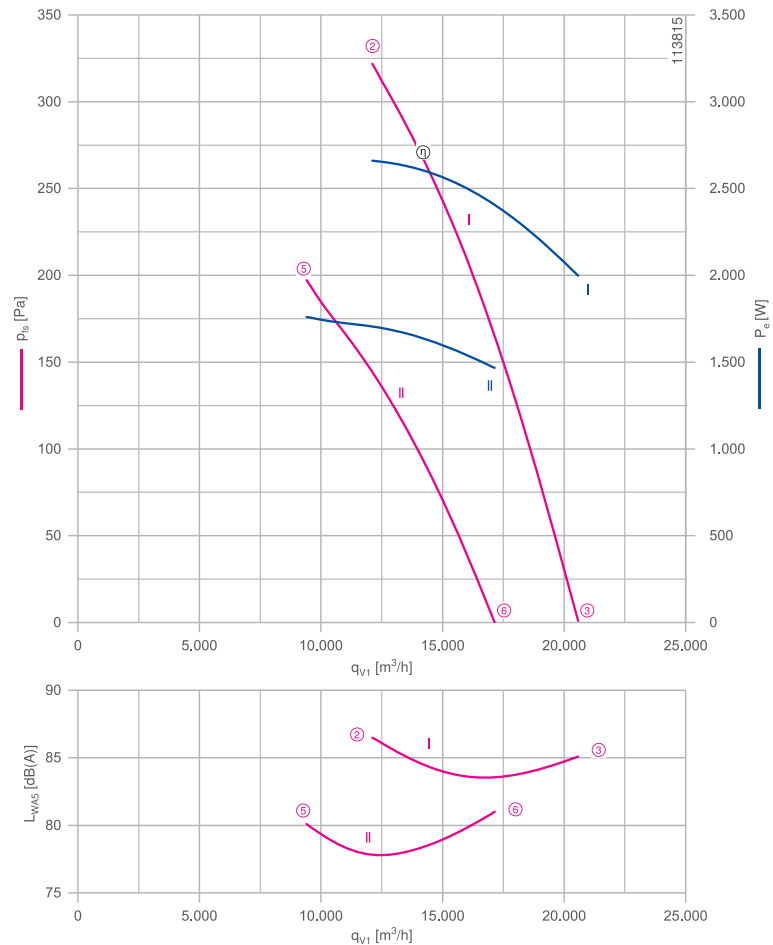
Rotor: Aluminium, 2 coat paint, jet black

Conformity: CE

* Rated data

*** Continuous operation with occasional starts (S1) according to DIN EN 60034-1:2011-02. Occasional starting between -40 °C and -25 °C is permissible. Continuous operation below -25 °C only with special bearings for refrigeration applications on request.

Characteristic curve



Measured in ZPlus without guard grille in installation type A according to ISO 5801

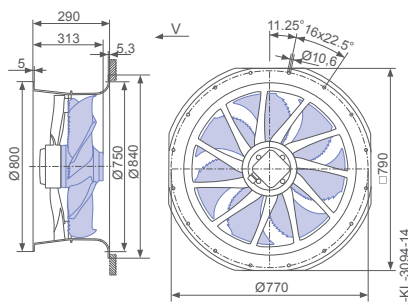
Connection diagram

1360-108XA

Dimensions mm

← Air flow direction V

Design L - ZPlus Ontop without guard grille



Performance data

Type	Connection	Characteristic curve	Voltage	Operating point	Current	Input power	Speed	Suction side sound power level L_{WA5} dB(A)
			U V					
ZN063-VD_6N.V7P7	Δ	I	400*	②	5.00*	2700*	1330*	87
			400	③	4.00	2000	1380	85
	Y	II	400*	⑤	2.90*	1750*	1040*	80
			400	⑥	2.50	1450	1150	81

*rated data

Fan ordering information

← Air flow direction V

Design	L (without guard grille) Ontop
Installation position	H/Vu
	
Type	ZN063-VDL.6N.V7P7
Article no.	179983
Weight kg	35.00



Cpro

AC-Technology

Product overview

Quick selection Page 74

Size 250 Page 76

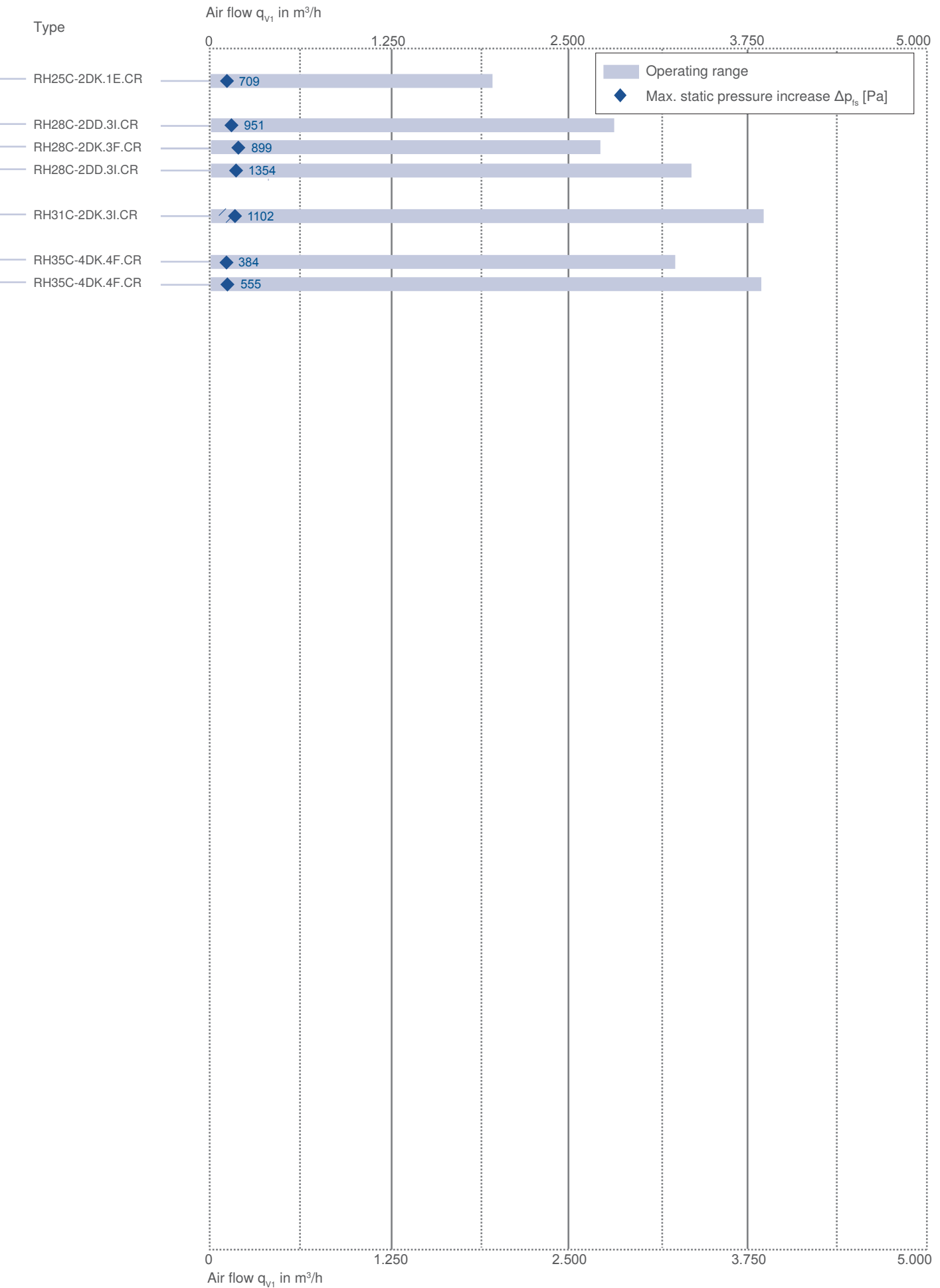
Size 280 Page 78

Size 315 Page 82

Size 355 Page 84

Size	Frequency	Voltage	Number of poles	Type	Impeller position	Page
250	50Hz	3~400V	2	RH25C-2DK.1E.CR	K	76
280	50 Hz	3~ 400V	2	RH28C-2DD.3I.CR	D	78
	60 Hz	3~ 400/460V	2	RH28C-2DK.3F.CR	K	80
				RH28C-2DD.3I.CR	D	78
315	50 Hz	3~ 400V	2	RH31C-2DK.3I.CR	K	82
355	50 Hz	3~ 400V	4	RH35C-4DK.4F.CR	K	84
	60 Hz	3~ 400/460V	4	RH35C-4DK.4F.CR	K	84





Cpro

for three phase alternating current, 2 pole

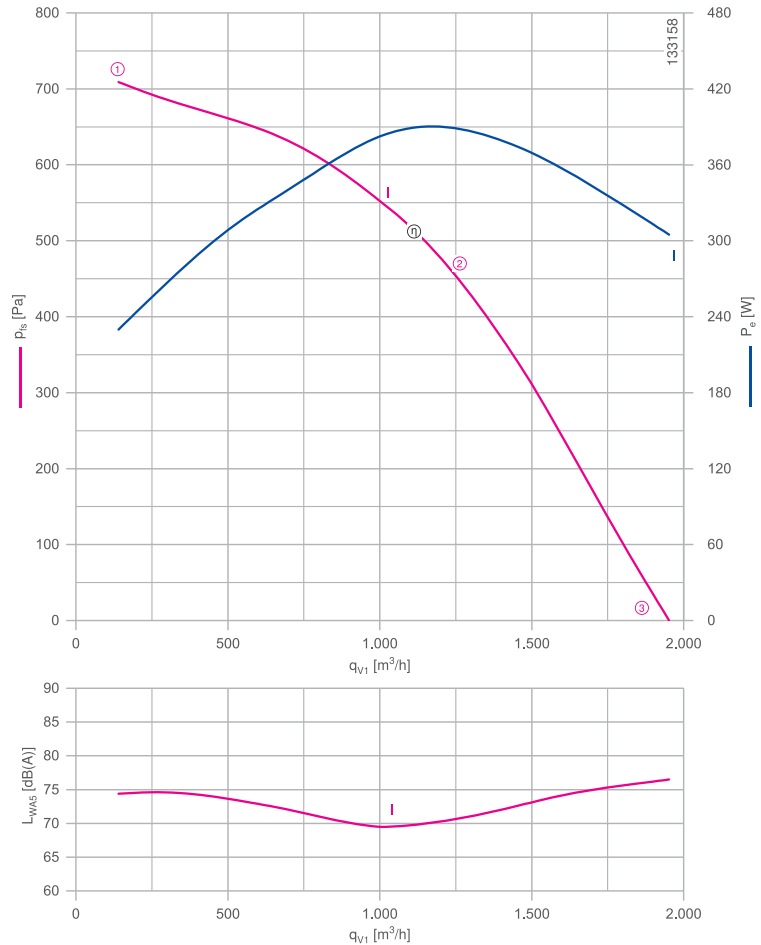
RH25C-2D



Description

Motor technology: AC
 Rated voltage U_N : 3~ 230/400 V (Δ/Y)*
 Rated frequency f_N : 50 Hz*
 Input power P_e : 390 W*
 Rated current I_N : 1.10/0.64 A*
 Rated speed n_N : 2620 min⁻¹*
 Starting current I_A : 4.00/2.20 A
 Current increase ΔI : 10 %
 Thermal class: THCL155*
 Min. permitted ambient temperature $t_{amb(min)}$: -40 °C***
 Max. permitted ambient temperature $t_{amb(max)}$: 65 °C
 Electrical connection: Supply cable side, 105cm
 Degree of protection : IP54Z
 Motor protection: thermal contact
 Impeller : Impeller made of ZAmid, unpainted
 Motor: Aluminium, 1 coat paint, pebble grey
 Conformity: CE
 * Rated data
 *** Continuous operation with occasional starts (S1) according to DIN EN 60034-1:2011-02. Occasional starting between -35 °C and -25 °C is permissible. Continuous operation below -25 °C only with special bearings for refrigeration applications on request.

Characteristic curve

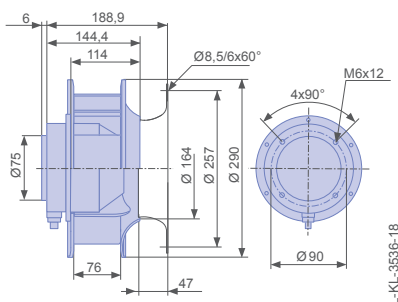


Measured with inlet nozzle, without guard grille according to ISO 5801
 Not voltage controllable fan.

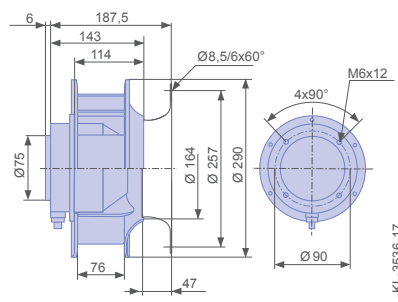
Inlet ring	00401777	RAL 7032 (pebble grey)
Inlet ring	00400803	unpainted
Connection diagram	1360-106XA	

Dimensions mm

Free-running motorized impeller RH
 in installation position H/Vu



Free-running motorized impeller RH
 in installation position H/Vo

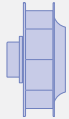



Performance data

Type	Characteristic curve	Voltage	Operating point	Current	Input power	Speed	Suction side sound power level L_{WA5} dB(A)
		U V		I A	P_e W	n min ⁻¹	
RH25C-2DK.1E.CR	I	400	①	0.44	230	2800	74
		400*	②	0.64*	390*	2620*	70
		400	③	0.54	300	2730	77

*rated data

Fan ordering information

Design	RH*	RH*
Installation position	H/Vu	H/Vo
		
Type	RH25C-2DK.1E.CR	RH25C-2DK.1E.CR
Article no.	175806	175805
Weight kg	4.00	4.00
* Inlet nozzle not included in the scope of delivery		

Cpro

for three phase alternating current, 2 pole

RH28C-2D



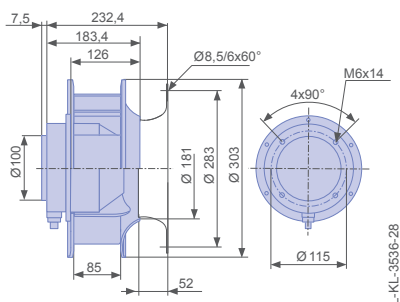
Description

Motor technology: AC
 Rated voltage U_N :
 3~ 230/400 V (Δ/Y) | 3~230/400 V (Δ/Y) | 3~265/460 V (Δ/Y) *
 Rated frequency f_N : 50 Hz | 60 Hz | 60 Hz*
 Input power P_e :
 0.68 kW | 1.05 kW | 1.10 kW*
 Rated current I_N :
 2.20/1.30 A | 2.90/1.70 A | 2.90/1.65 A*
 Rated speed n_N :
 2810 min⁻¹ | 3190 min⁻¹ | 3300 min⁻¹*
 Starting current I_s : 13.00/7.50 A | 12.00/7.00 A | 14.00/8.00 A
 Current increase ΔI : 20 % | 20 % | 15 %
 Thermal class: THCL155*
 Min. permitted ambient temperature $t_{amb(min)}$: -40 °C***
 Max. permitted ambient temperature $t_{amb(max)}$:
 70 °C | 65 °C | 65 °C
 Electrical connection: Supply cable side, 105cm
 Degree of protection : IP54
 Motor protection: thermal contact
 Impeller : Impeller made of ZAmid, unpainted
 Motor: Aluminium, 1 coat paint, pebble grey
 Conformity: CE
 * Rated data
 *** Continuous operation with occasional starts (S1) according to DIN EN 60034-1:2011-02. Occasional starting between -35 °C and -25 °C is permissible. Continuous operation below -25 °C only with special bearings for refrigeration applications on request.

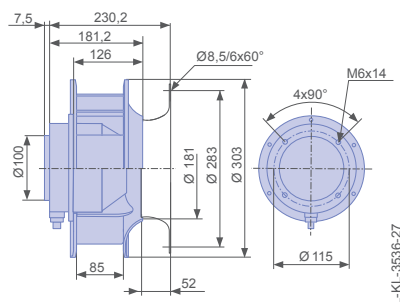
Inlet ring	00401778	RAL 7032 (pebble grey)
Inlet ring	00400804	unpainted
Connection diagram	1360-106XA	

Dimensions mm

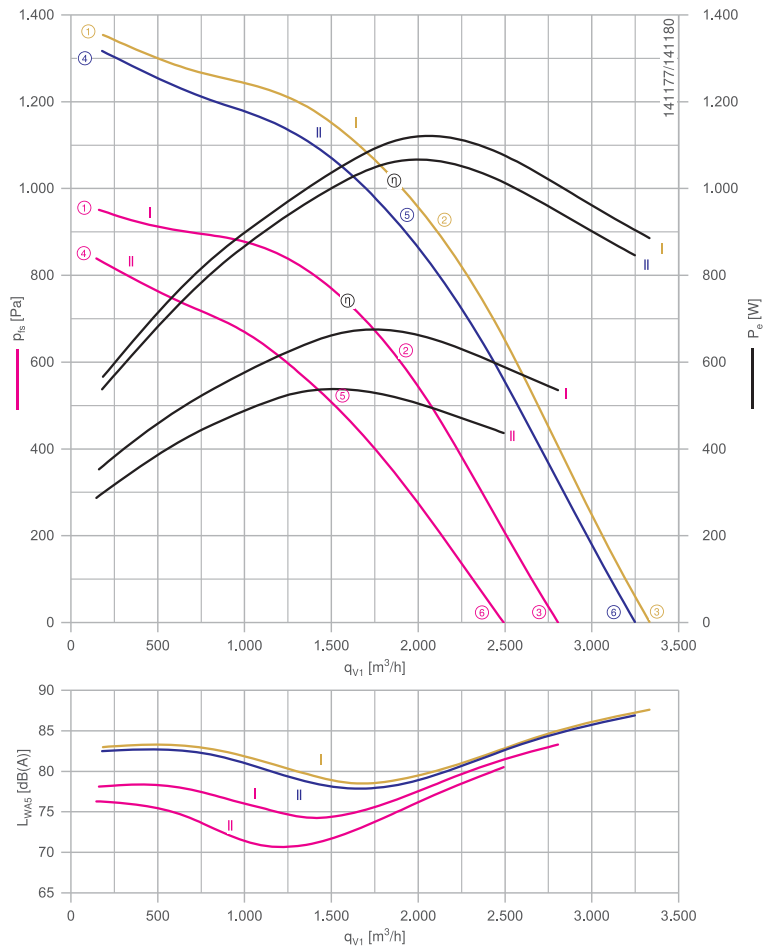
Free-running motorized impeller RH
in installation position H/Vu



Free-running motorized impeller RH
in installation position H/Vo



Characteristic curve



Measured with inlet nozzle, without guard grille according to ISO 5801
 Not 60Hz voltage controllable fan.





Performance data

Type	Characteristic curve	Voltage	Frequency	Operating point	Current	Input power	Speed	Suction side sound power level L_{WA5} dB(A)
		U V	f Hz		I A	P_o W	n min ⁻¹	
RH28C-2DD.3I.CR	I	400	50	①	0.98	350	2910	78
		400*	50	②	1.30*	680*	2810*	76
		400	50	③	1.15	540	2860	83
	II	230	50	④	0.82	290	2740	76
		230	50	⑤	1.45	540	2430	72
		230	50	⑥	1.20	440	2570	81
	I	460	60	①	1.05	560	3480	83
		460*	60	②	1.65*	1100*	3300*	80
		460	60	③	1.35	880	3380	88
	II	400	60	④	0.98	540	3430	83
		400*	60	⑤	1.70*	1050*	3190*	78
		400	60	⑥	1.40	840	3300	87

*rated data

Fan ordering information

Design	RH*	RH*
Installation position	H/Vu	H/Vo
		
Type	RH28C-2DD.3I.CR	RH28C-2DD.3I.CR
Article no.	175808	175807
Weight kg	10.00	10.00
* Inlet nozzle not included in the scope of delivery		

Cpro

for three phase alternating current, 2 pole

RH28C-2D



Description

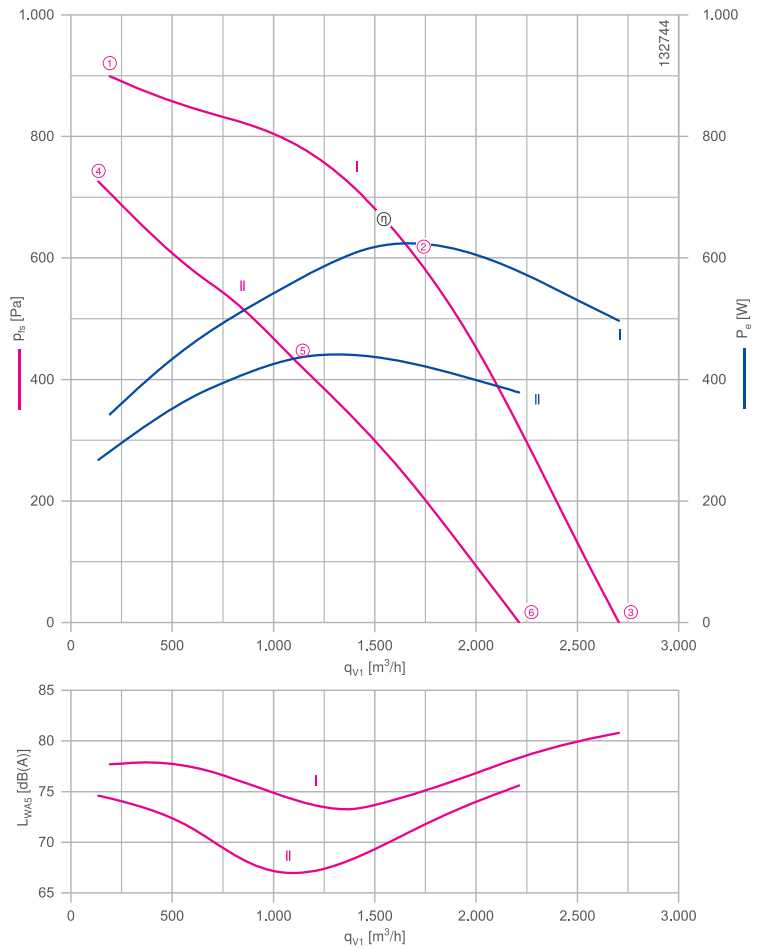
Motor technology: AC
 Rated voltage U_N : 3~ 230/400 V (Δ/Y)*
 Rated frequency f_N : 50 Hz*
 Input power P_e : 0.62 kW*
 Rated current I_N : 1.80/1.05 A*
 Rated speed n_N : 2700 min⁻¹*
 Starting current I_A : 7.50/4.40 A
 Current increase ΔI : 15 %
 Thermal class: THCL155*
 Min. permitted ambient temperature $t_{amb(min)}$: -40 °C***
 Max. permitted ambient temperature $t_{amb(max)}$: 60 °C

Electrical connection: Supply cable side, 105cm
 Degree of protection : IP54
 Motor protection: thermal contact
 Impeller : Impeller made of ZAmid, unpainted
 Motor: Aluminium, 1 coat paint, pebble grey
 Conformity: CE

* Rated data

*** Continuous operation with occasional starts (S1) according to DIN EN 60034-1:2011-02. Occasional starting between -35 °C and -25 °C is permissible. Continuous operation below -25 °C only with special bearings for refrigeration applications on request.

Characteristic curve

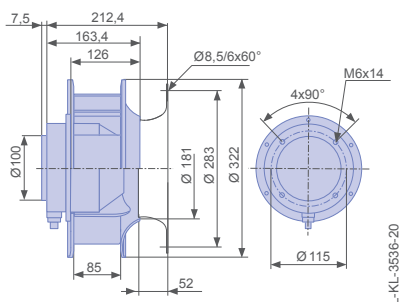


Measured with inlet nozzle, without guard grille according to ISO 5801

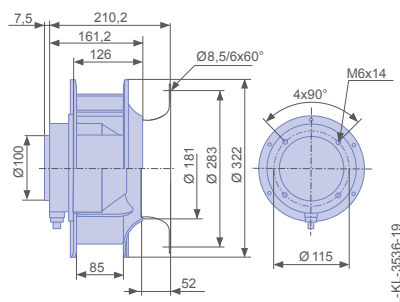
Inlet ring	00401778	RAL 7032 (pebble grey)
Inlet ring	00400804	unpainted
Connection diagram	1360-106X	

Dimensions mm

Free-running motorized impeller RH
in installation position H/Vu



Free-running motorized impeller RH
in installation position H/Vo

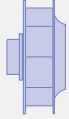
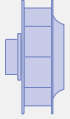


Performance data

Type	Characteristic curve	Voltage	Operating point	Current	Input power	Speed	Suction side sound power level L_{WA5} dB(A)
		U V		I A	P_e W	n min ⁻¹	
RH28C-2DK.3F.CR	I	400	①	0.74	340	2850	78
		400*	②	1.05*	620*	2700*	75
		400	③	0.92	500	2770	81
	II	230	④	0.74	270	2570	75
		230	⑤	1.20	440	2100	67
		230	⑥	1.05	380	2300	76

*rated data

Fan ordering information

Design	RH*	RH*
Installation position	H/Vu	H/Vo
		
Type	RH28C-2DK.3F.CR	RH28C-2DK.3F.CR
Article no.	175811	175810
Weight kg	10.00	10.00
* Inlet nozzle not included in the scope of delivery		

Cpro

for three phase alternating current, 2 pole

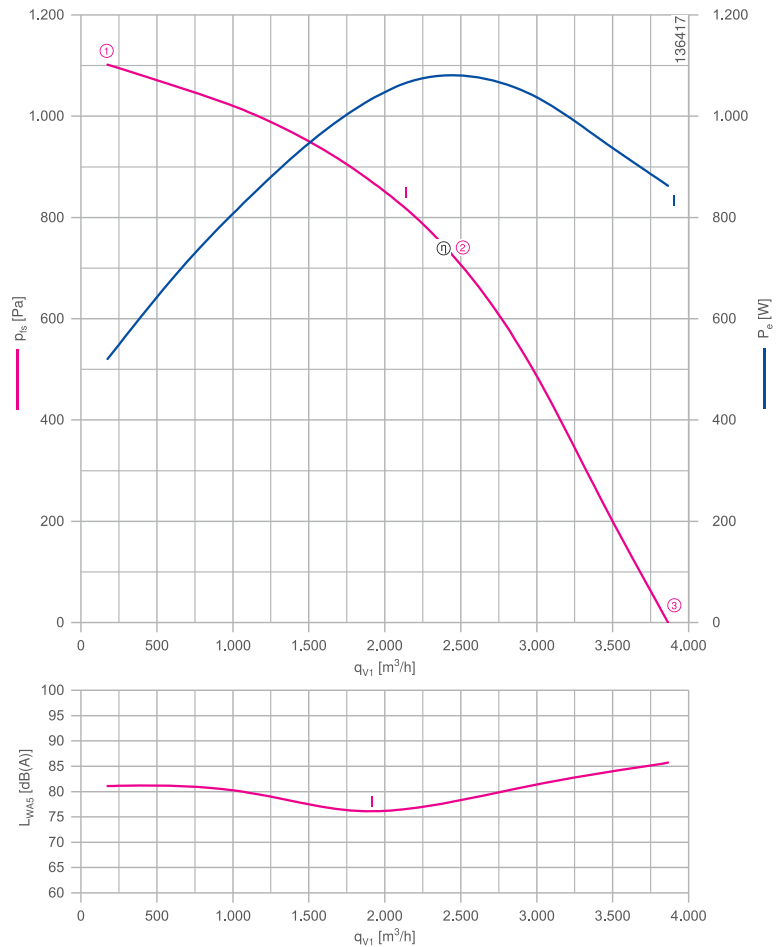
RH31C-2D



Description

Motor technology: AC
 Rated voltage U_N : 3~ 230/400 V (Δ/Y)*
 Rated frequency f_N : 50 Hz*
 Input power P_e : 1.05 kW*
 Rated current I_N : 3.10/1.80 A*
 Rated speed n_N : 2670 min⁻¹*
 Starting current I_A : 13.00/7.50 A
 Thermal class: THCL155*
 Min. permitted ambient temperature $t_{amb(min)}$: -40 °C***
 Max. permitted ambient temperature $t_{amb(max)}$: 60 °C
 Electrical connection: Supply cable side, 105cm
 Degree of protection : IP54
 Motor protection: thermal contact
 Impeller : Impeller made of ZAmid, unpainted
 Motor: Aluminium, 1 coat paint, pebble grey
 Conformity: CE
 * Rated data
 *** Continuous operation with occasional starts (S1) according to DIN EN 60034-1:2011-02. Occasional starting between -35 °C and -25 °C is permissible. Continuous operation below -25 °C only with special bearings for refrigeration applications on request.

Characteristic curve

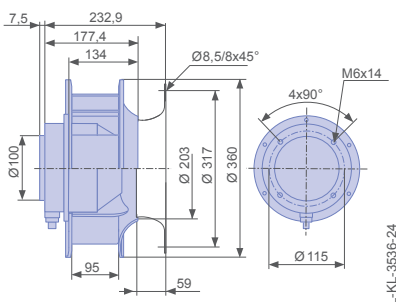


Measured with inlet nozzle, without guard grille according to ISO 5801
 Not voltage controllable fan.

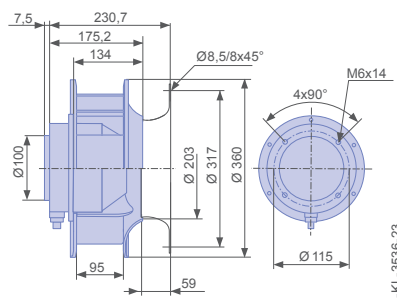
Inlet ring	00411853	RAL 7032 (pebble grey)
Inlet ring	00411846	unpainted
Connection diagram	1360-106XA	

Dimensions mm

Free-running motorized impeller RH
in installation position H/Vu



Free-running motorized impeller RH
in installation position H/Vo





Performance data

Type	Characteristic curve	Voltage	Operating point	Current	Input power	Speed	Suction side sound power level L_{WA5} dB(A)
		U V		I A	P_e W	n min ⁻¹	
RH31C-2DK.3I.CR	I	400	①	1.10	520	2860	81
		400*	②	1.80*	1100*	2660*	78
		400	③	1.50	860	2750	86

*rated data

Fan ordering information

Design	RH*	RH*
Installation position	H/Vu	H/Vo
		
Type	RH31C-2DK.3I.CR	RH31C-2DK.3I.CR
Article no.	175815	175814
Weight kg	11.00	11.00
* Inlet nozzle not included in the scope of delivery		

Cpro

for three phase alternating current, 4 pole

RH35C-4D



Description

Motor technology: AC
 Rated voltage U_N :
 3~ 230/400 V (Δ/Y) | 3~230/400 V (Δ/Y) | 3~265/460 V (Δ/Y) *
 Rated frequency f_N : 50 Hz | 60 Hz | 60 Hz*
 Input power P_e :
 330 W | 0.50 kW | 520 W*
 Rated current I_N :
 1.50/0.88 A | 1.55/0.90 A | 1.60/0.94 A*
 Rated speed n_N :
 1430 min⁻¹ | 1670 min⁻¹ | 1700 min⁻¹*
 Starting current I_s : 8.00/4.60 A | 7.00/4.00 A | 8.50/4.80 A
 Current increase ΔI : 0 % | 15 % | 20 %
 Thermal class: THCL155*
 Min. permitted ambient temperature $t_{amb(min)}$: -40 °C***
 Max. permitted ambient temperature $t_{amb(max)}$:
 70 °C | 70 °C | 70 °C
 Electrical connection: Supply cable side, 105cm
 Degree of protection : IP54
 Motor protection: thermal contact
 Impeller : Impeller made of ZAmid, unpainted
 Motor: Aluminium, 1 coat paint, pebble grey
 Conformity: CE

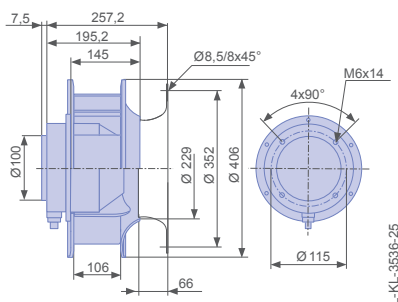
* Rated data

*** Continuous operation with occasional starts (S1) according to DIN EN 60034-1:2011-02. Occasional starting between -35 °C and -25 °C is permissible. Continuous operation below -25 °C only with special bearings for refrigeration applications on request.

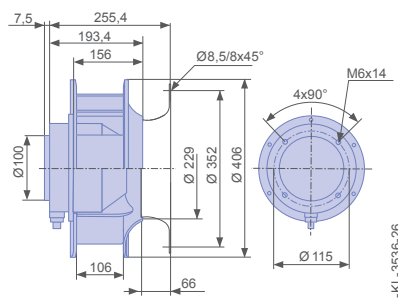
Inlet ring	00411854	RAL 7032 (pebble grey)
Inlet ring	00411847	unpainted
Connection diagram	1360-106XA	

Dimensions mm

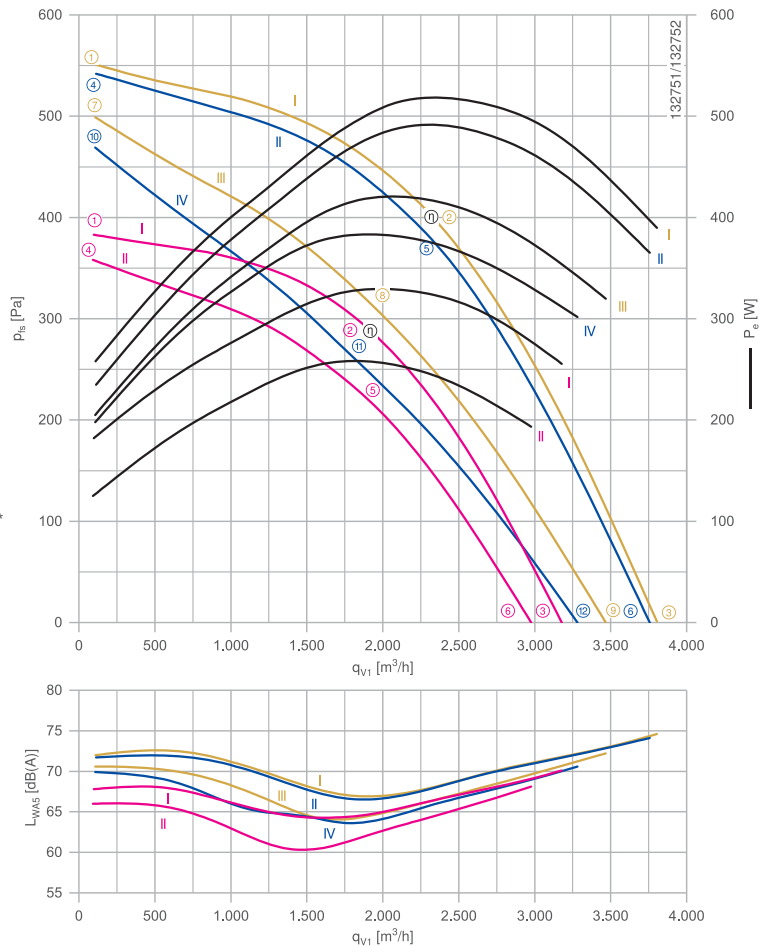
Free-running motorized impeller RH
in installation position H/Vu



Free-running motorized impeller RH
in installation position H/Vo



Characteristic curve



Measured with inlet nozzle, without guard grille according to ISO 5801





Performance data

Type	Characteristic curve	Voltage	Frequency	Operating point	Current	Input power	Speed	Suction side sound power level L_{WA5} dB(A)
		U V	f Hz		I A	P_o W	n min ⁻¹	
RH35C-4DK.4F.CR	I	400	50	①	0.80	180	1470	68
		400*		②	0.88*	330*	1430*	65
		400		③	0.84	260	1450	70
	II	230		④	0.44	130	1420	66
		230		⑤	0.74	260	1310	62
		230		⑥	0.58	190	1360	68
	I	460	60	①	0.74	260	1760	72
		460*		②	0.92*	520*	1700*	68
		460		③	0.82	390	1730	75
	II	400		④	0.60	230	1750	72
		400*		⑤	0.88*	500*	1670*	68
		400		⑥	0.74	370	1710	74
	III	265	⑦	0.54	210	1680	71	
		265	⑧	1.05	420	1480	65	
		265	⑨	0.80	320	1580	72	
	IV	230	⑩	0.58	200	1630	70	
		230	⑪	1.10	380	1360	64	
		230	⑫	0.86	300	1500	71	

*rated data

Fan ordering information

Design	RH*	RH*
Installation position	H/Vu	H/Vo
		
Type	RH35C-4DK.4F.CR	RH35C-4DK.4F.CR
Article no.	175816	175817
Weight kg	9.00	9.00
* Inlet nozzle not included in the scope of delivery		



General notes

The information and data contained in this catalogue were composed to the best of our best ability and do not absolve the user from its duty to check the suitability of the products with respect to its intended application.

The customer is obligated to inform the supplier about general information concerning the intended use, the type of installation, the operating conditions and any other conditions that need to be taken into consideration if the order is not based on catalogue information.

ZIEHL-ABEGG SE reserves the right to make design changes, which are used for continuous technical improvement.

This catalogue contains information for your guidance. No guarantee is provided with regard to the accuracy of all information and no legal claims may be derived from this. Reproduction of this information, or extracts thereof, is permitted only with written approval.

Copyright

ZIEHL-ABEGG SE reserves in its entirety the copyright of this catalogue. The catalogue is intended for proper use as intended and neither the catalogue, its content nor extracts may be passed on to third parties without our express written consent.

The Royal League

© ZIEHL-ABEGG SE - 00706589 - EN - MA - 09/2018 - 500 - Schweikert - This catalogue contains information for your guidance. No guarantee is provided with regard to the accuracy of all information and no legal claims may be derived from this. Reproduction of this information, or extracts thereof, is permitted only with written approval.